

Primary Usage

Reference No.

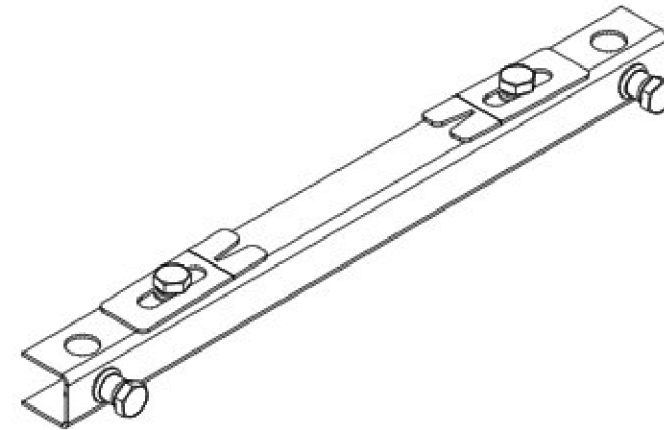
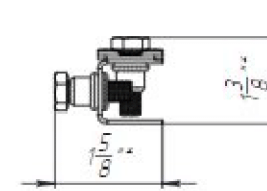
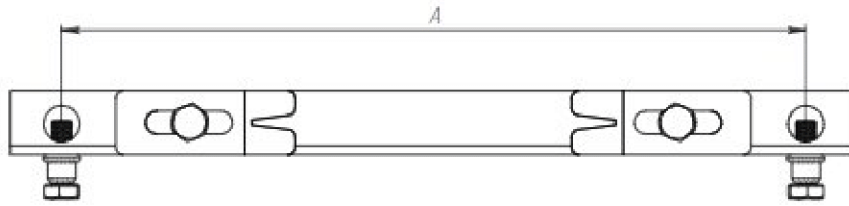
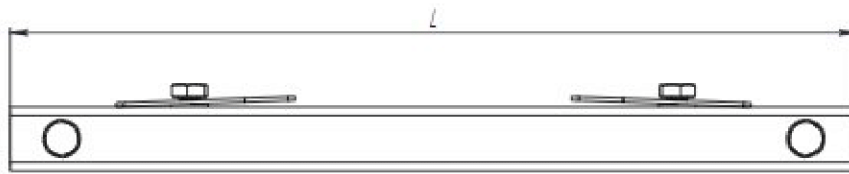
Sign. and date

Copy inv. No.

Repl. Inv. No.

Sign. and date

Orig. Inv. No.



Article	L (length), mm	A, mm	Weight, kg	For channels (CO)
6104	330	290	0,33	PolyMax 100 (DN100)
6124	370	330	0,37	PolyMax 150 (DN150)
6154	420	380	0,41	PolyMax 200 (DN200)
6174	550	510	0,51	PolyMax 300 (DN300)
6194	850	810	0,77	PolyMax 500 (DN500)

Rev.	Sheet	Doc. No.	Sign.	Data	Art.	Let.	Weight (lb)	Scale
				10.04.20	Plastic Channel Installation Mounting Bracket			1:10
					Galvanized Steel	Sheet	Sheets 1	

