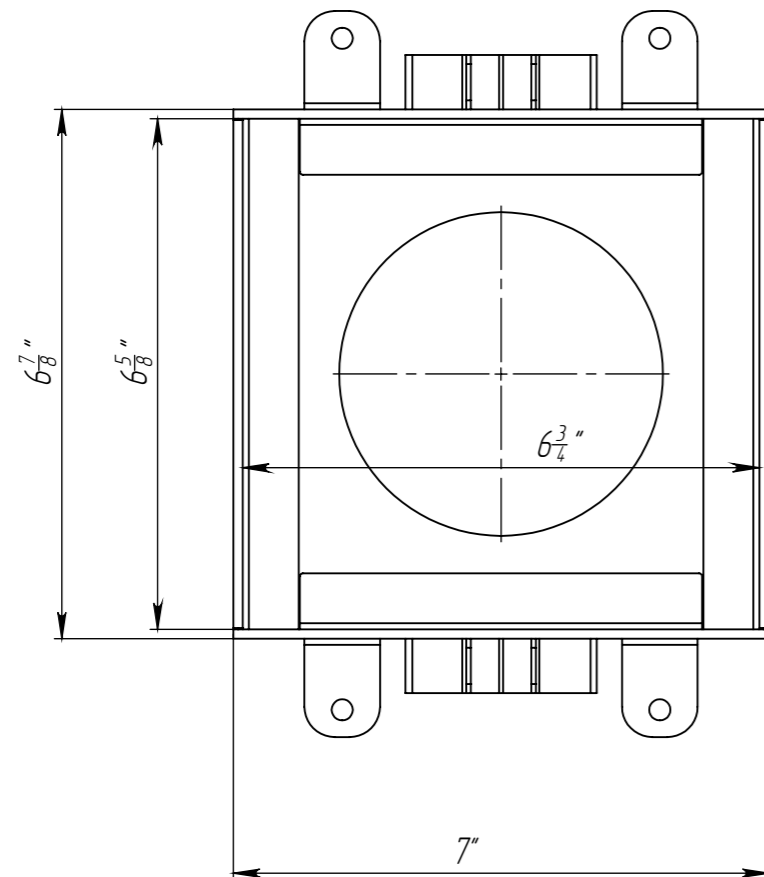
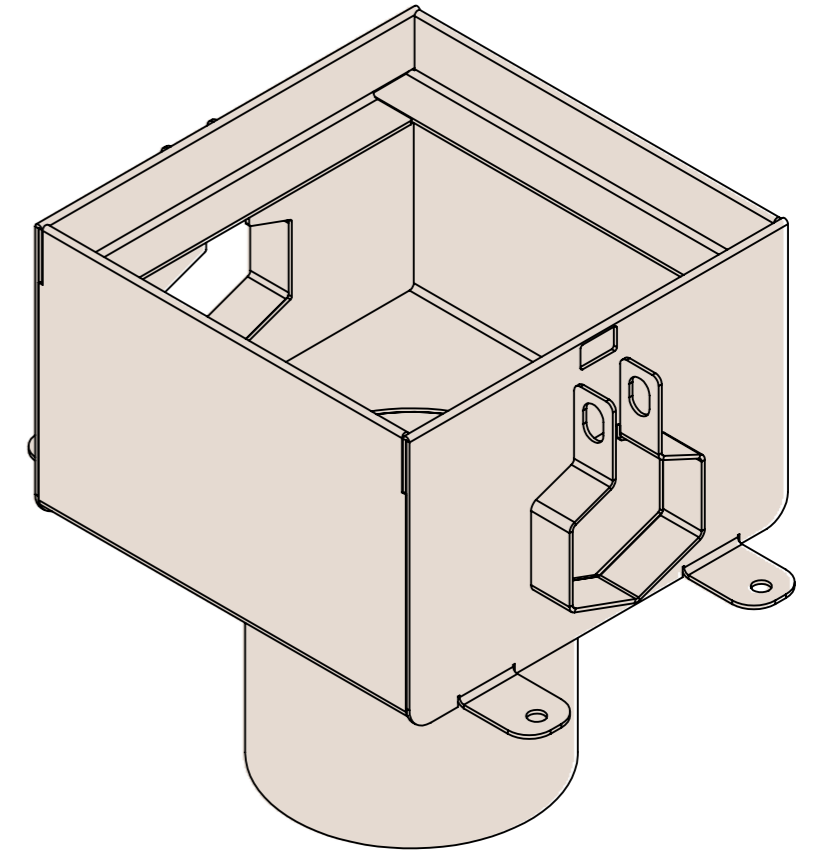
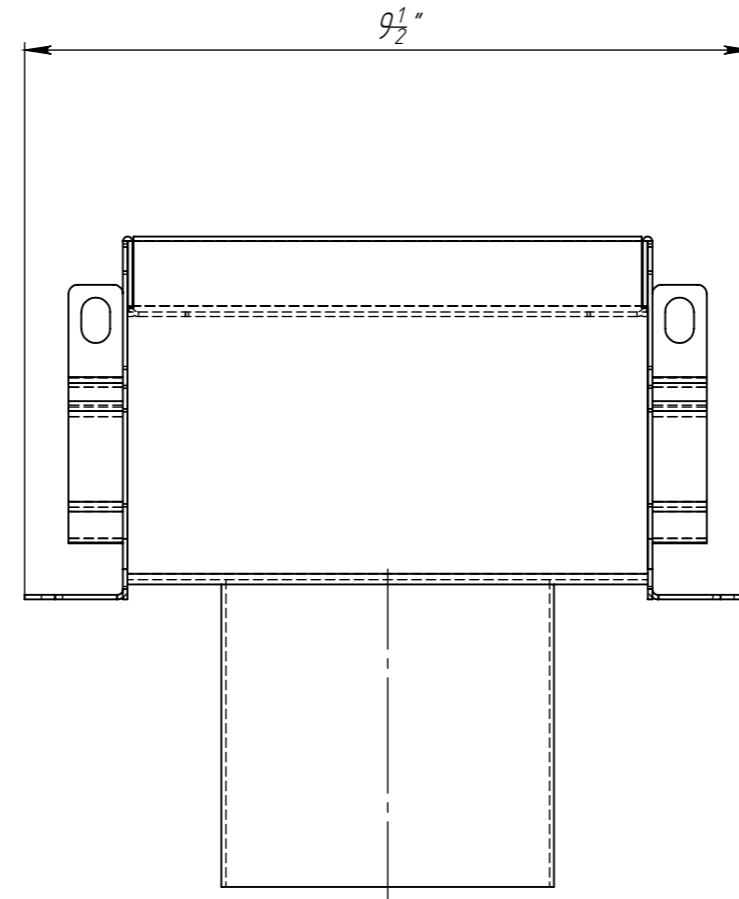
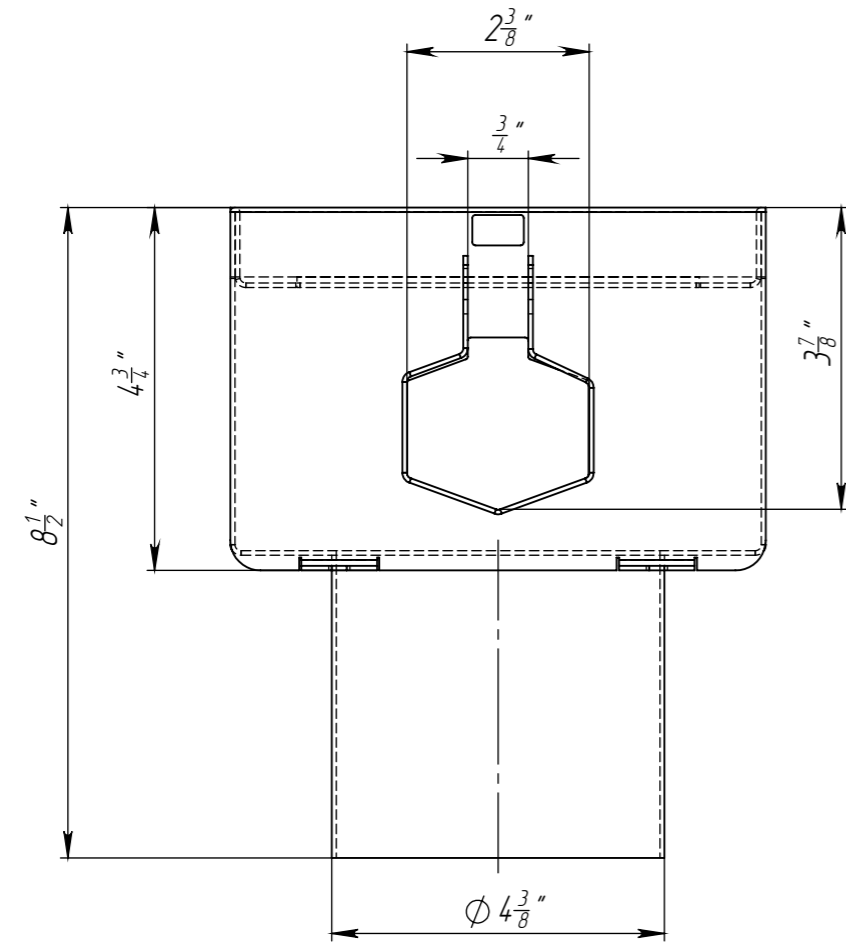


| | | | | | | | |
|----------------|--|--|--|--|--|--|--|
| Primary Usage | | | | | | | |
| Reference No. | | | | | | | |
| Sign. and date | | | | | | | |
| Copy inv. No. | | | | | | | |
| Repl. Inv. No. | | | | | | | |
| Sign. and date | | | | | | | |
| Orig. Inv. No. | | | | | | | |



| | | | | | | | | |
|--|--|--|--|--|---------------------------------------|------------------|-------------|-------|
| | | | | | Art. | SSSDT4S-18.18.12 | | |
| | | | | | Double 100 straight edges trap | | | |
| | | | | | | Let. | Weight (lb) | Scale |
| | | | | | | | 4.27 | 1:2.5 |
| | | | | | | Sheet | Sheets 1 | |
| | | | | | SSSDT4S-18.18.12 | | | |
| | | | | | Load class A15 | | | |
| | | | | | Stainless Steel | | | |
| | | | | | | | | |