

Primary Usage

Reference No.

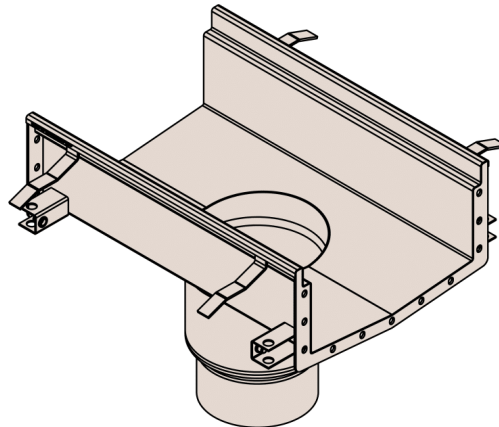
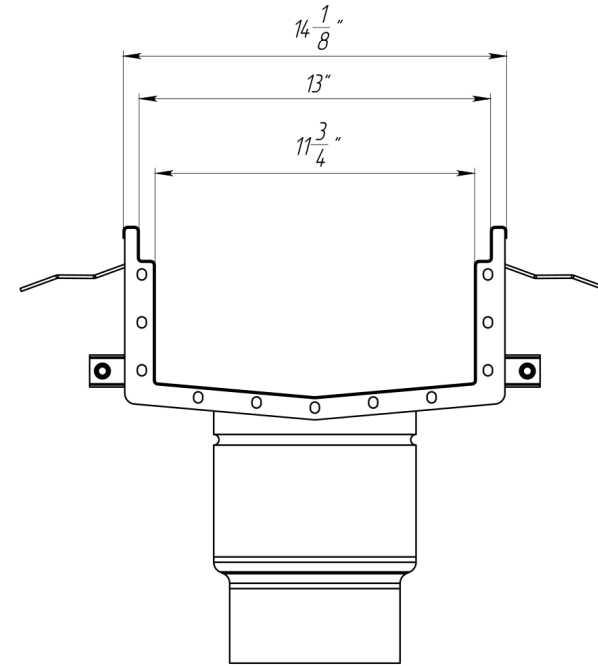
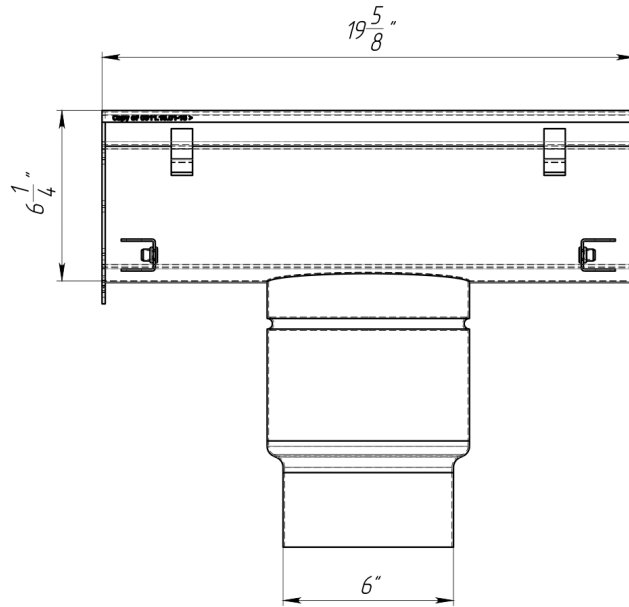
Sign. and date

Copy inv. No.

Repl. Inv. No.

Sign. and date

Orig. Inv. No.



- \* - Dimensions for reference;
- Unspecified marginal deviation of dimensions H14, h14, ±IT14/2;
- General tolerances of form and placement - GOST 30893.2;
- Delivery and packaging are carried out in accordance with the terms of the contract
- The manufacturer reserves the right, without notice to the consumer, to make changes to the design of the products for improvement their technological and operational parameters, which will not affect the quality and properties of the product.

Rev.	Sheet	Doc. No.	Sign.	Data	12" Channel of module system with outlet 6" for section 01-16			Art.
				05.02.21	<b>SSC12V6.05-A</b>	Let.	Weight (lb)	Scale
							14.63*	1:100
						Sheet	Sheets 1	
					Stainless Steel			VODALAND