

Primary Usage

Reference No.

Sign. and date

Copy inv. No.

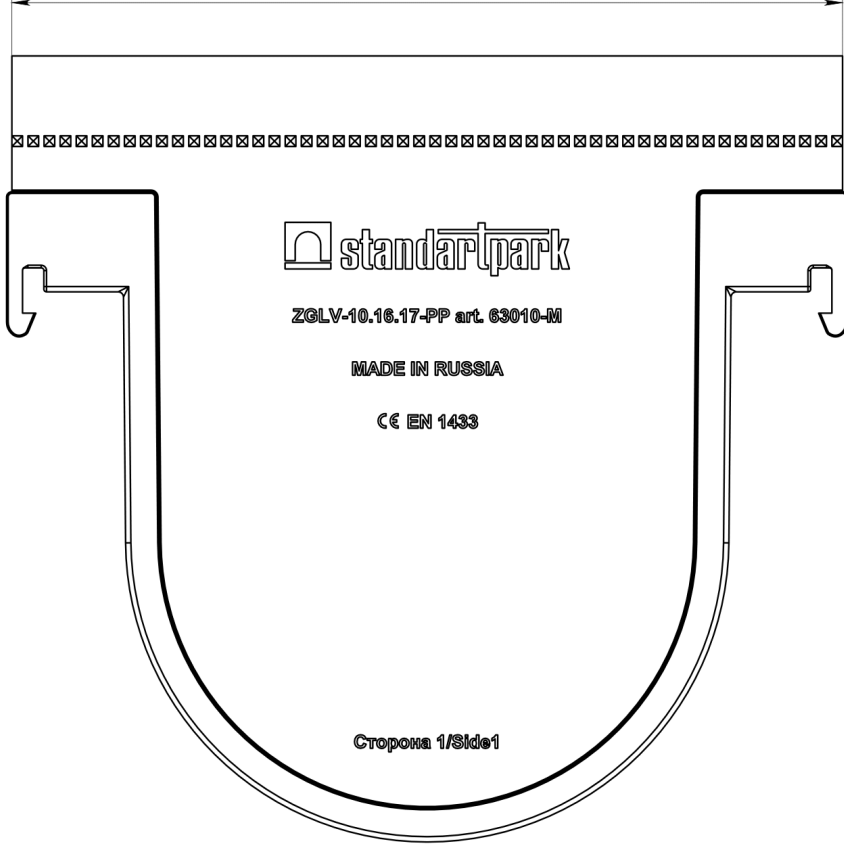
Repl. Inv. No.

Sign. and date

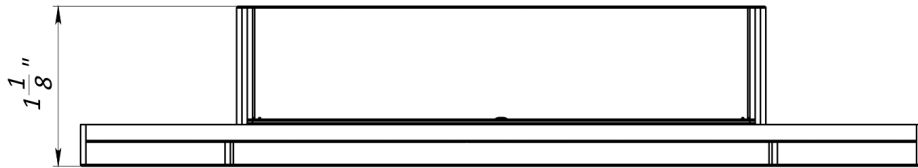
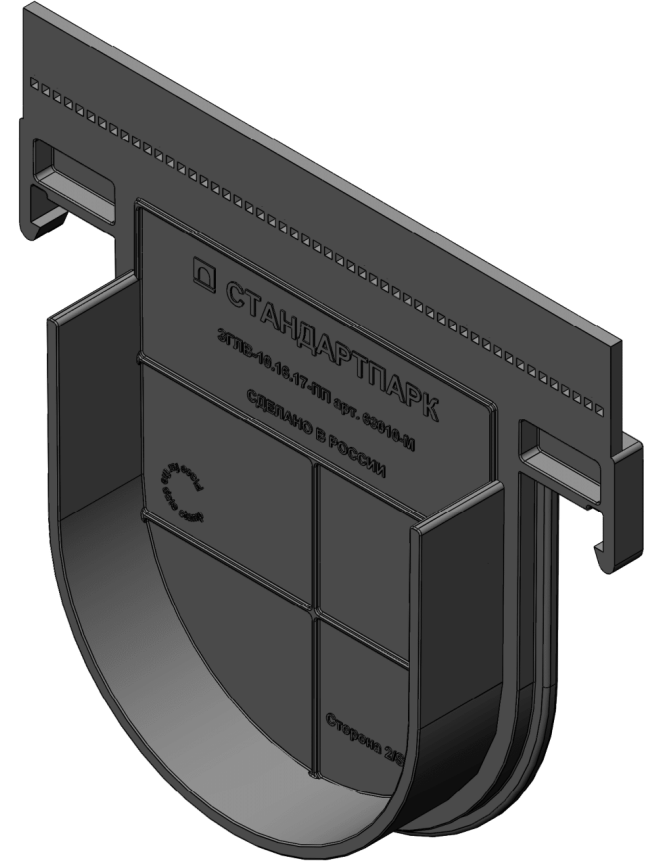
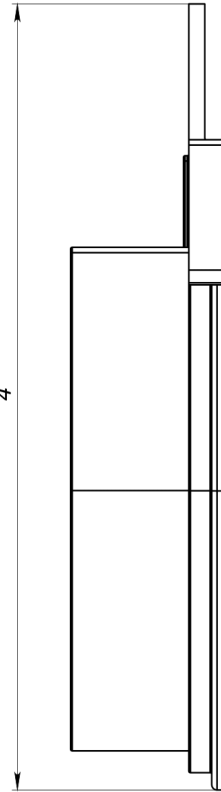
Orig. Inv. No.

4" End Cap

$\frac{1}{8}$ "



$5\frac{3}{4}$ "



1. Deviation of the actual weight of the nominal can be up to 12%

				Art. 63010-M				
				4" End Cap				
Rev.	Sheet	Doc. No.	Sign.	Data	63010-M	Let.	Weight (lb)	Scale
				27.06.19			0.14	1:2
					Sheet		Sheets 1	
					Plastic			