

Primary Usage

Reference No.

Sign. and date

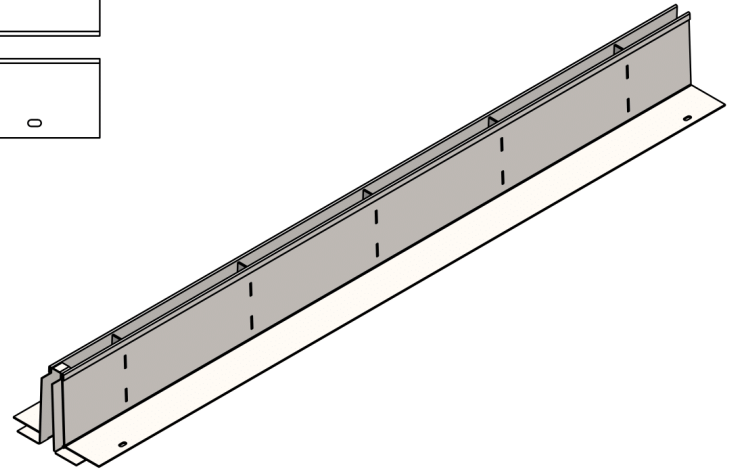
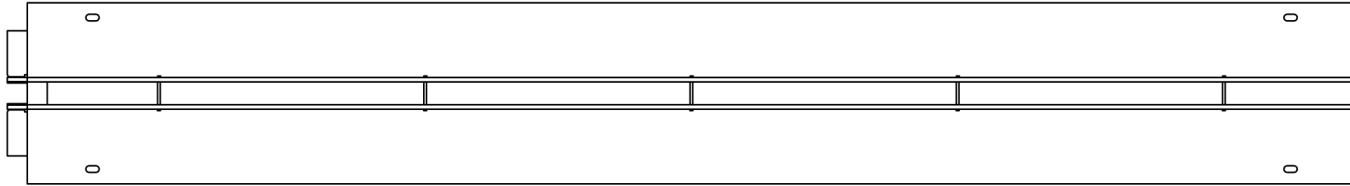
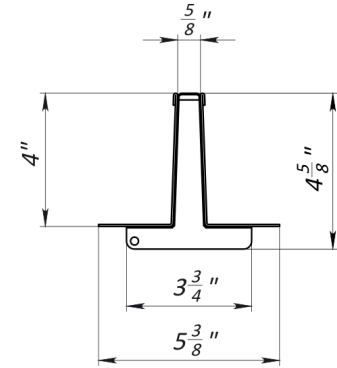
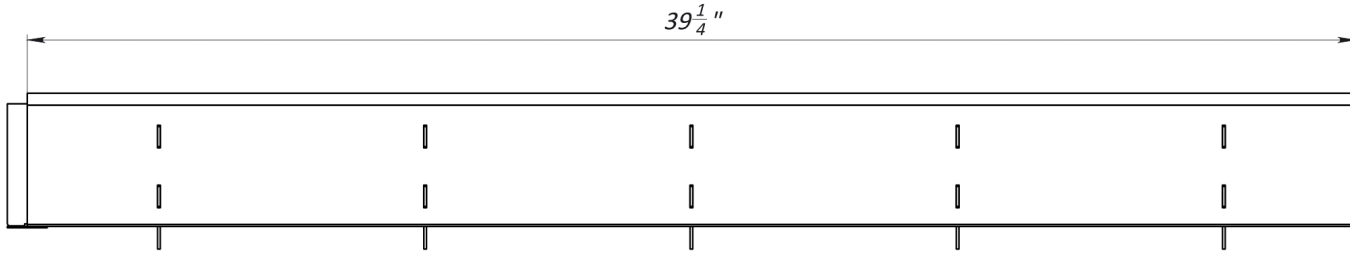
Copy inv. No.

Repl. Inv. No.

Sign. and date

Orig. Inv. No.

4" Galvanized Steel Slot Drain



- 1. Area of water intake slots 26 sq in
- 2. Deviation of the actual weight of the nominal can be up to 10%

										Art. 2017-1T-100
										<b>4" Galvanized Steel Slot Drain</b>
										Let. Weight (lb) Scale
										<b>2017-1T-100</b>
										4.16 1:4
										Sheet Sheets 1
										Galvanized Steel
										VODALAND