

Primary Usage

Reference No.

Sign. and date

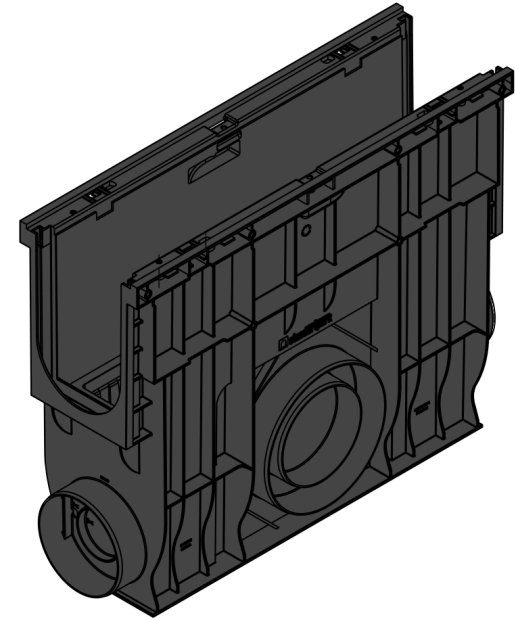
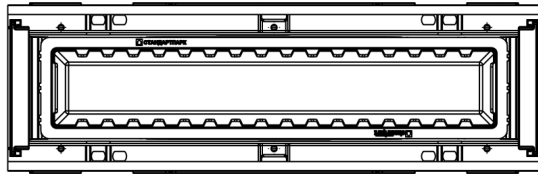
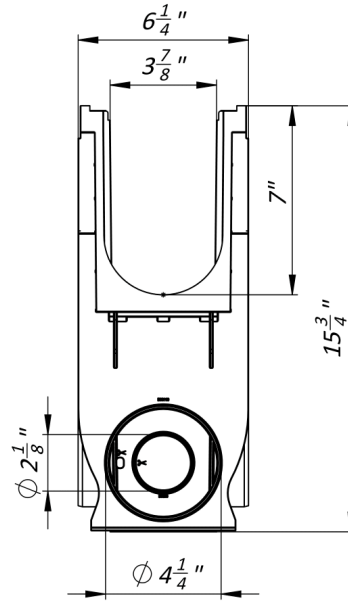
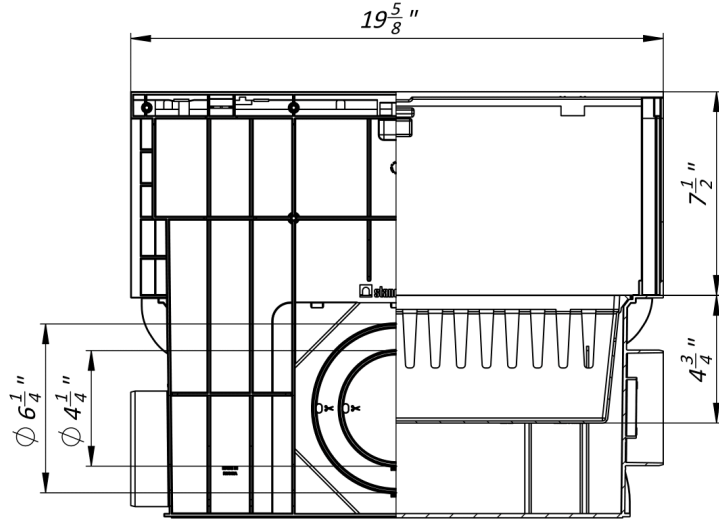
Copy inv. No.

Repl. Inv. No.

Sign. and date

Orig. Inv. No.

4" Plastic Sand Trap



Deviation of the actual weight of the nominal can be up to 10%

										Art. 8080-M
4" Plastic Sand Trap										
Rev.	Sheet	Doc. No.	Sign.	Data	8080-M			Let.	Weight (lb)	Scale
				11.09.18					5.33	1:5
					Load Class C			Sheet	Sheets 1	
					Plastic					