

Primary Usage

Reference No.

Sign. and date

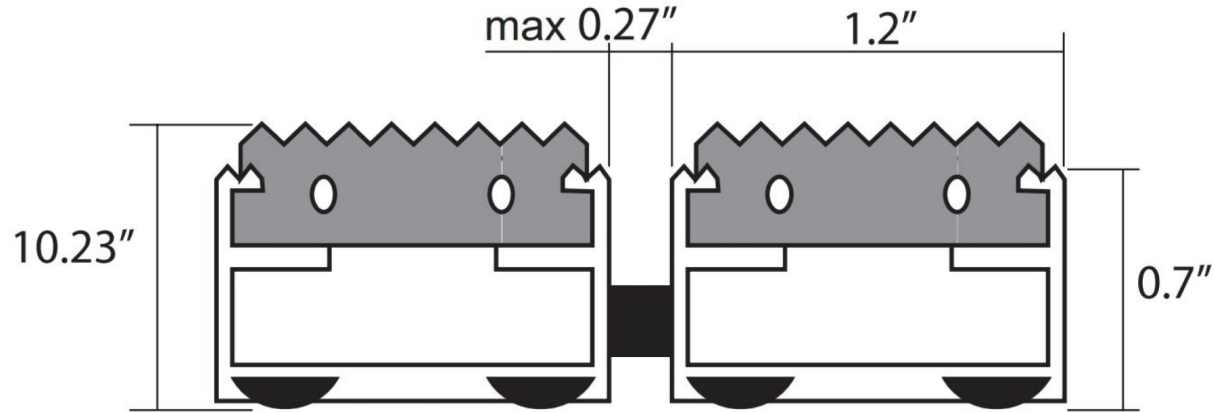
Copy inv. No.

Repl. Inv. No.

Sign. and date

Orig. Inv. No.

Entrance Mat City Rubber



Lenght, in	Width, in	Weight, lb
23	15.5	8
47	31.5	39
59	39.5	61

										Art.	1001
<i>Entrance Mat City Rubber</i>											
Rev.	Sheet	Doc. No.	Sign.	Data	NP-EM1001			Let.	Weight (lb)	Scale	
				04.21.16							1:5
								Sheet	Sheets 1		
Rubber, Aluminum, Plastic											