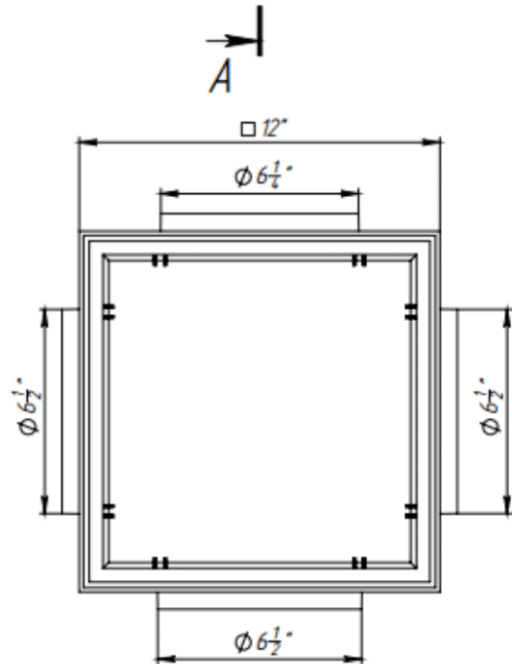
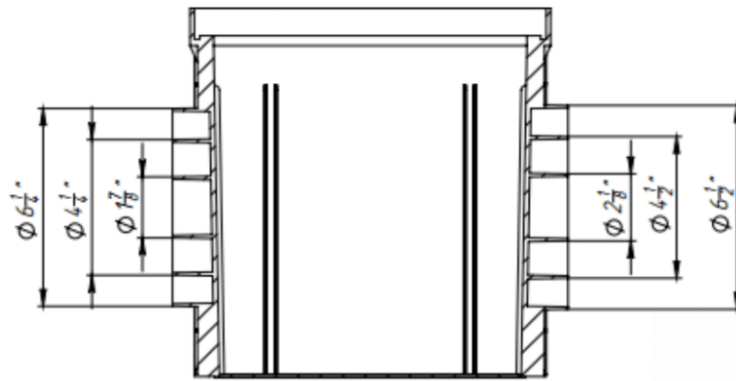
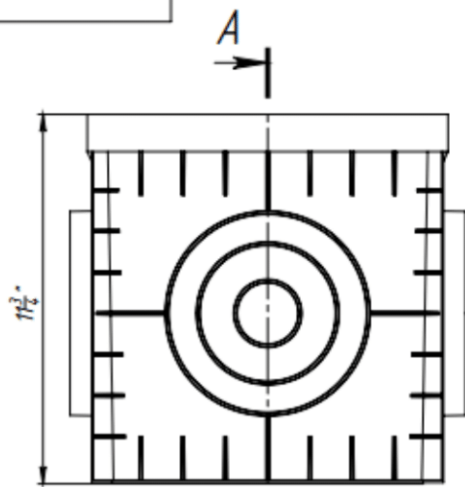


Plastic Storm Water Inlet 12x12 (RU)

SECTION A-A



- Material properties:
1. Water Absorption, 24 hrs 0.01 - 0.03 %
 2. Working Temperature -40 to 176 °F
 3. Chemical resistance YES

					Art. 8370-B		
					Plastic Storm Water Inlet 12x12 (RU)		
Rev.	Sheet	Doc. No.	Sign.	Date	Let.	Weight (lb)	Scale
				04.11.16		3.94	1:4
					Sheet	Sheets 1	
					Plastic		VODALAND

Primary Usage

Reference No.

Sign and date

Copy no. No.

Repl. Inv. No.

Sign and date

Org. Inv. No.