

Primary Usage

Reference No.

Sign. and date

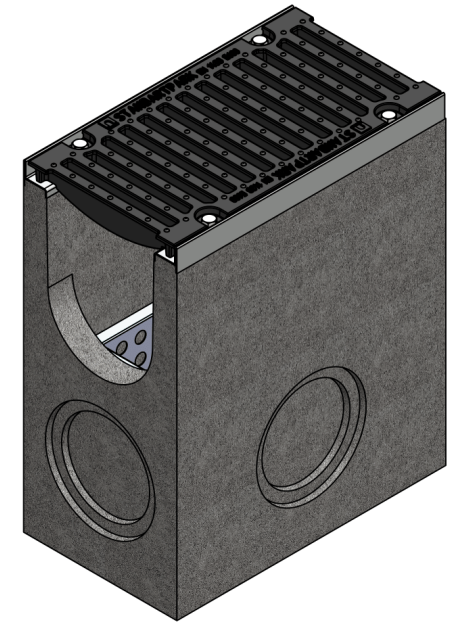
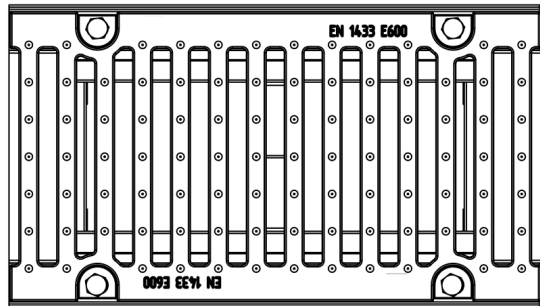
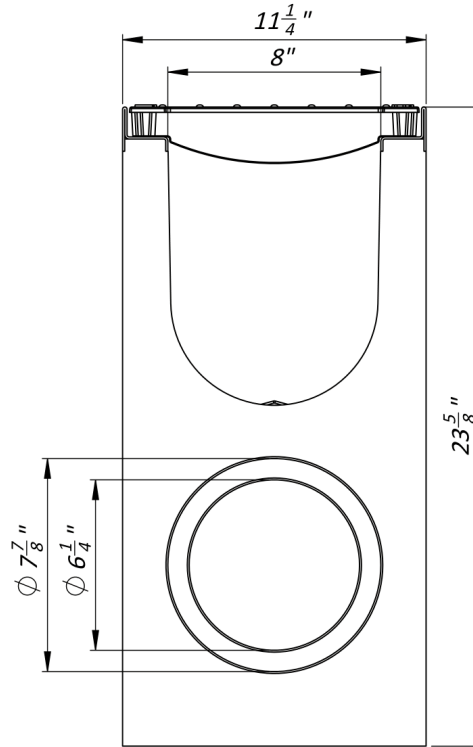
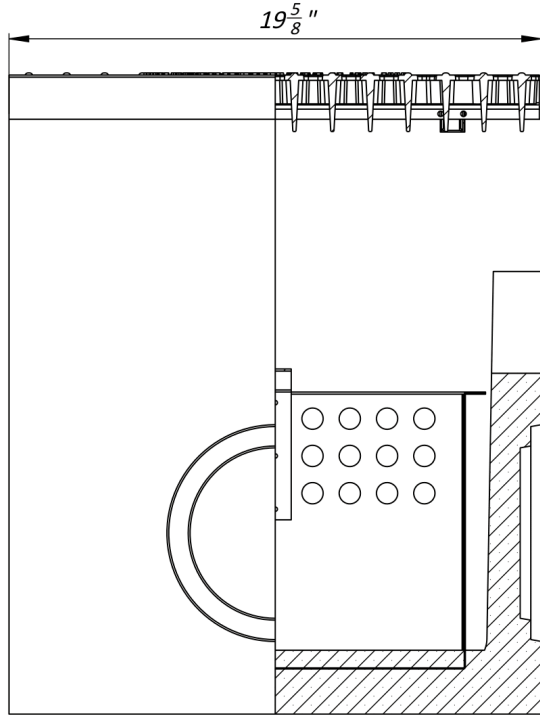
Copy inv. No.

Repl. Inv. No.

Sign. and date

Orig. Inv. No.

8" Concrete Sand Trap



- 1. Area of water intake slots 75 sq in
- 2. Deviation of the actual weight of the nominal can be up to 8%

									Art. 04580
									8" Concrete Sand Trap
									Let. Weight (lb) Scale
									04580
									224.04 1:5
									Sheet Sheets 1
									Concrete, Steel, Ductile Cast Iron
									VODALAND