

Primary Usage

Reference No.

Sign. and date

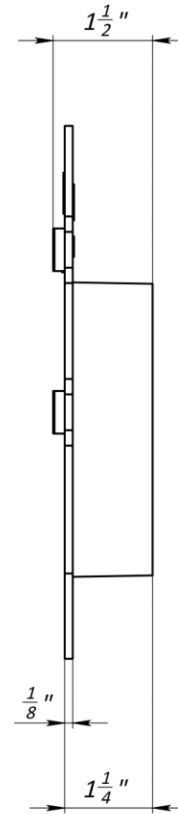
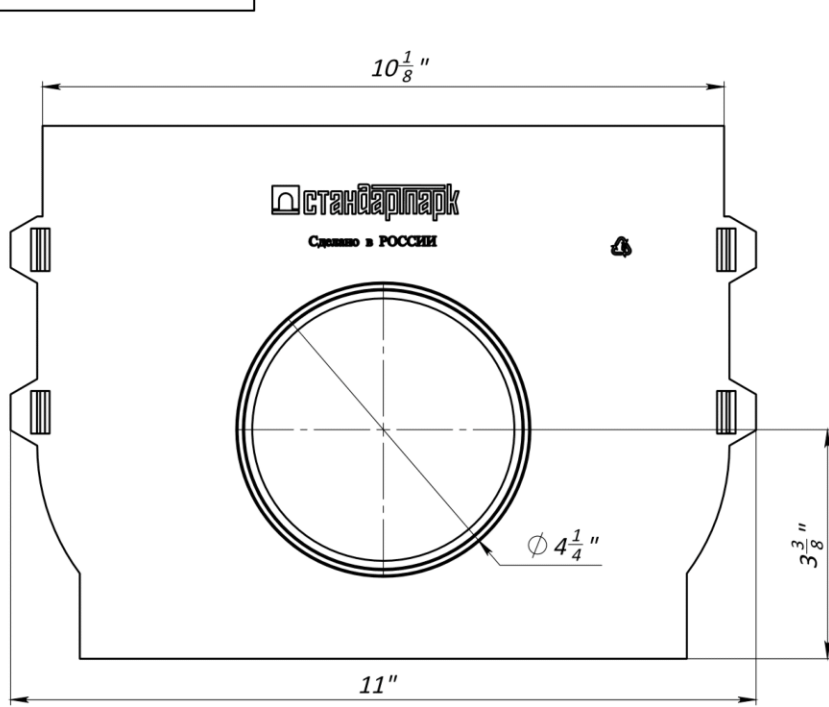
Copy inv. No.

Repl. Inv. No.

Sign. and date

Orig. Inv. No.

# 8" End Cap



				Art. 6854				
				8" End Cap				
Rev.	Sheet	Doc. No.	Sign.	Data	<b>NP-EC 6854</b>	Let.	Weight (lb)	Scale
				04.08.16			0.37	1:2
					Sheet		Sheets 1	
					Plastic			