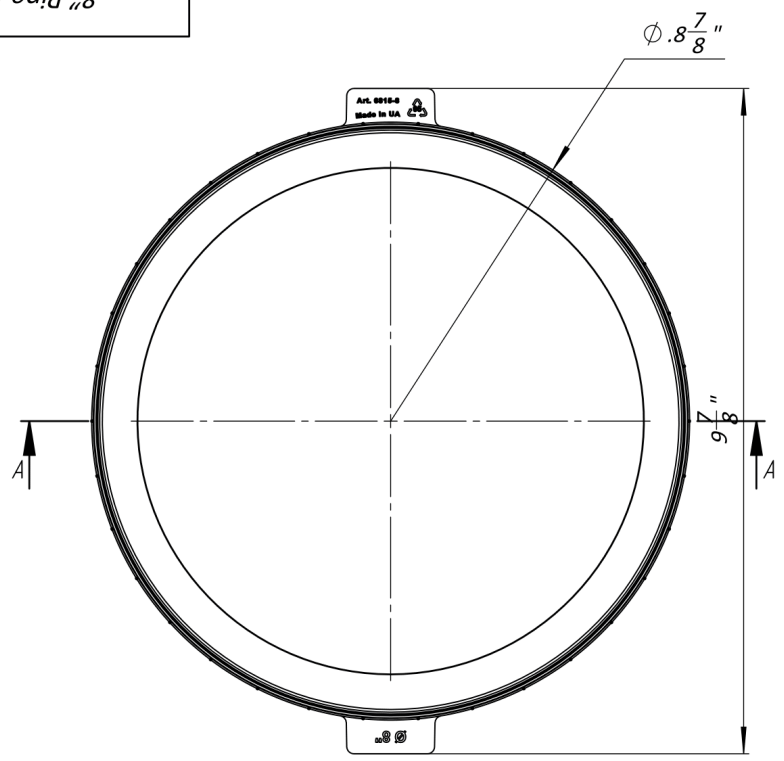
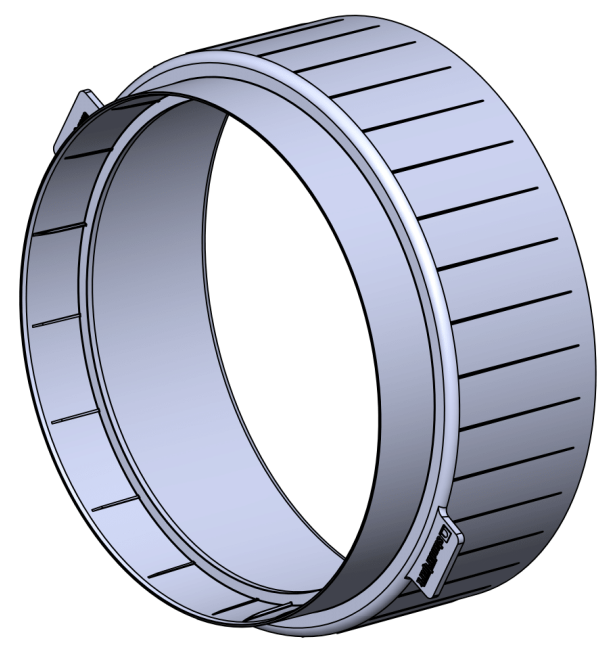
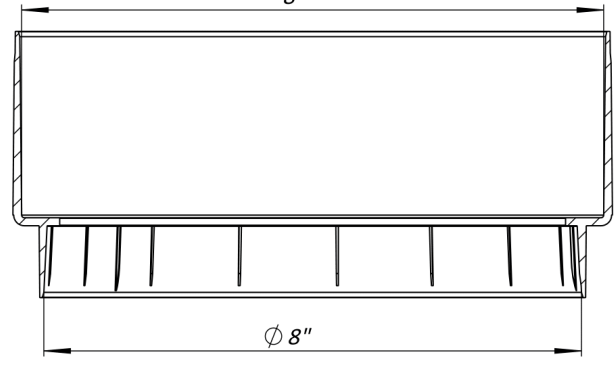


Primary Usage
Reference No.
Sign. and date
Copy inv. No.
Repl. Inv. No.
Sign. and date
Orig. Inv. No.

8" Pipe Adapter



A-A
1:2
 $\phi 8 \frac{5}{8}$ " (8")



				Art. 6815-8				
				8" Pipe Adapter				
Rev.	Sheet	Doc. No.	Sign.	Data	6815-8	Let.	Weight (lb)	Scale
				30.01.20			0.42	1:3
					Sheet		Sheets 1	
					Plastic			