

39 ³/₈" [1000]

A

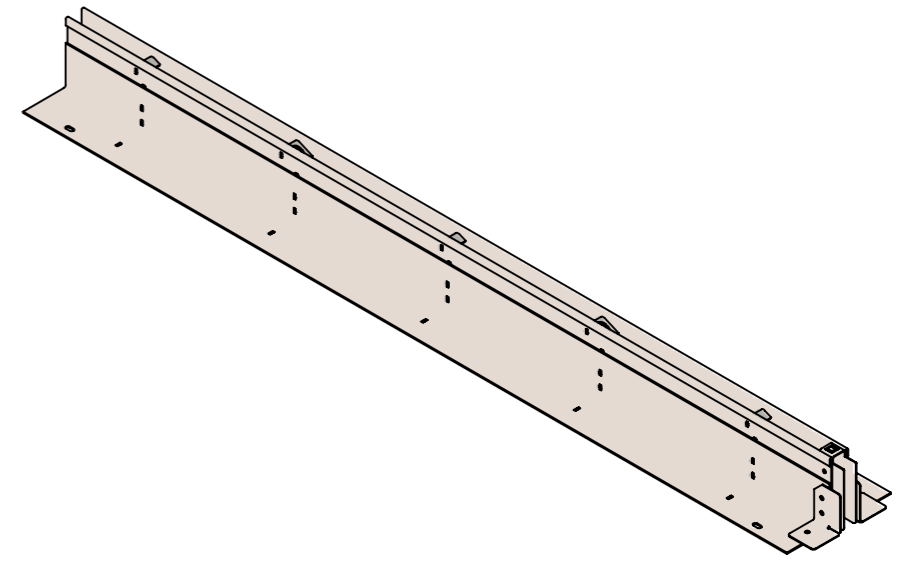
A

1 ¹/₄" [30,2]

5 ⁵/₈" [17]

5 ³/₈" [136]

40" [1015]

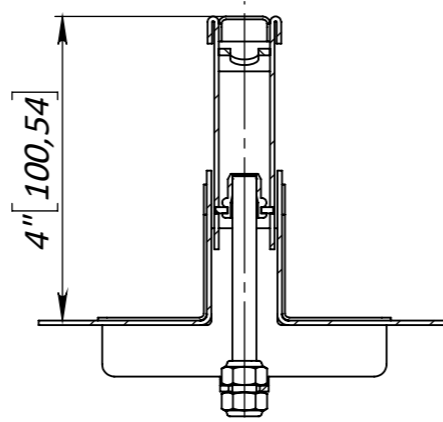
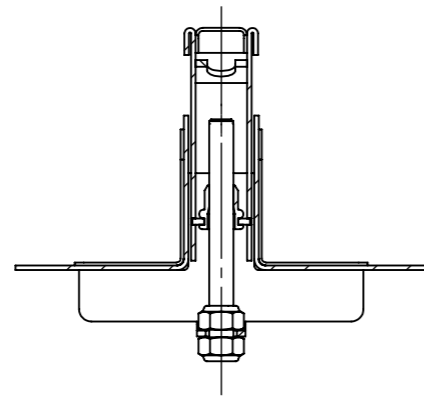
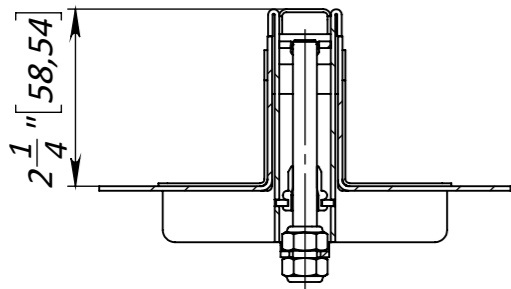


A-A (1 : 2.5)

Minimum height

Middle height
smooth regulation

Maximum height



Approved by:

Signature: _____

Name: _____

Title: _____

Date: _____

1. Dimensions for reference, inch [mm]
2. Delivery and packaging are carried out in accordance with the terms of the contract
3. The manufacturer reserves the right, without notice to the consumer, to make changes to the design of the products for improvement of their technological and operational parameters, which will not affect the quality and properties of the product.
4. Load class C250 can be achieved using the concrete additional support in accordance with the manufacturer's instruction.

UNLESS OTHERWISE SPECIFIED: DIMENSIONS ARE IN MILLIMETERS SURFACE FINISH: TOLERANCES: ISO 2768-m LINEAR: ANGULAR:		FINISH: Passivation	DEBURR AND BREAK SHARP EDGES	DO NOT SCALE DRAWING	REVISION 3
DRAWN			TITLE:		
CHK'D			Slot Drain with adjustable height		
APPV'D			Load class C250		
MFG			ARTICLE:		
Q.A			2097-1T-60-100		
MATERIAL: Stainless Steel (AISI 304)			A3		
WEIGHT: lb 11,1 / kg			SCALE:1:5		
			SHEET 1 OF 1		