

Primary Usage

Reference No.

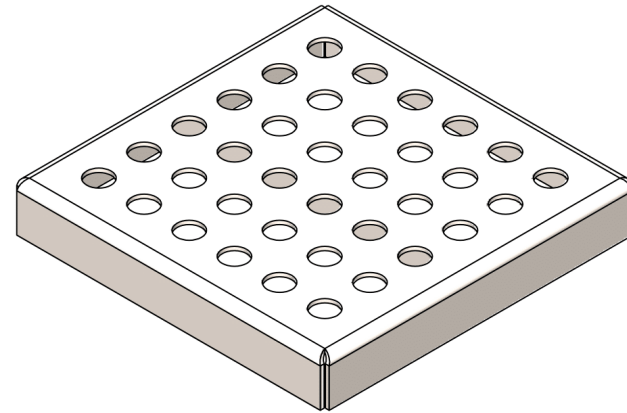
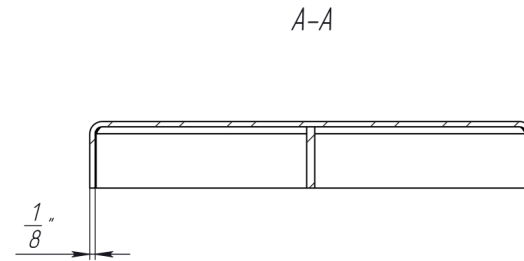
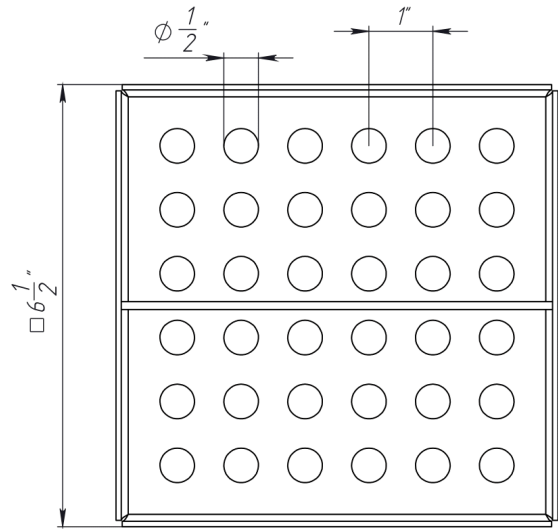
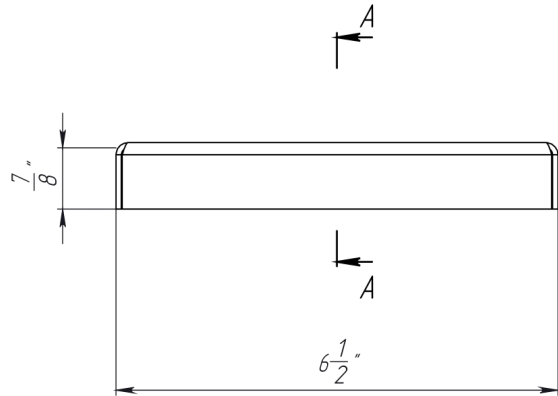
Sign. and date

Copy inv. No.

Repl. Inv. No.

Sign. and date

Orig. Inv. No.



						Art.	551.14.01-UA		
						<i>Perforated sheet grate</i>			
							Let.	Weight (lb)	Scale
								1,47	1:2
							Sheet	Sheets 1	
						<b>551.14.01-UA</b>			
						<b>Stainless Steel</b>			
						