

Primary Usage

Reference No.

Sign. and date

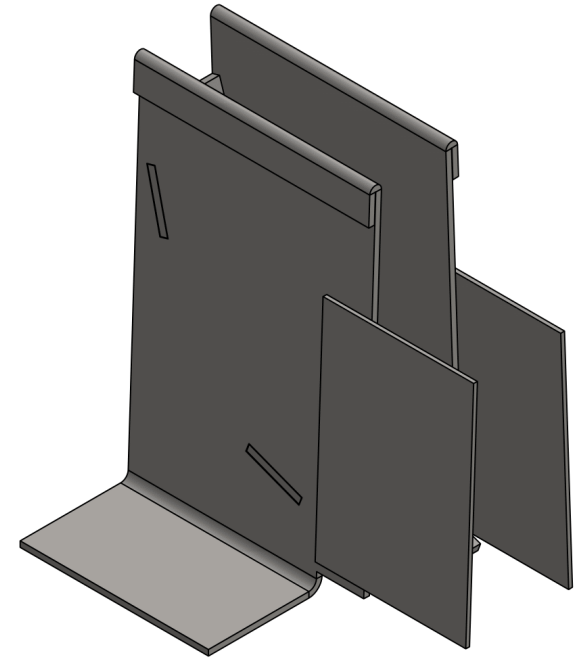
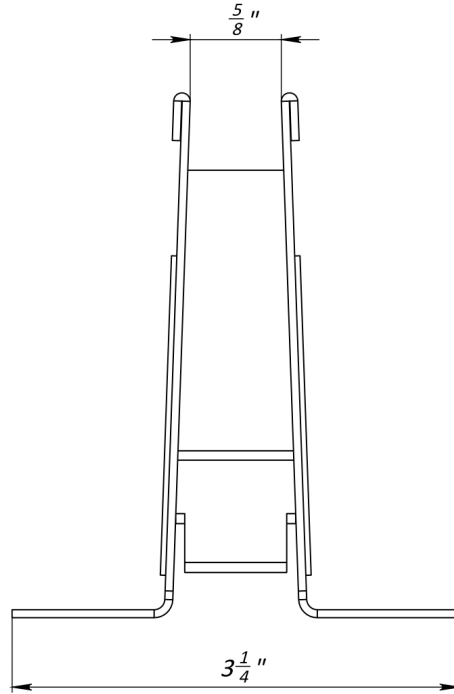
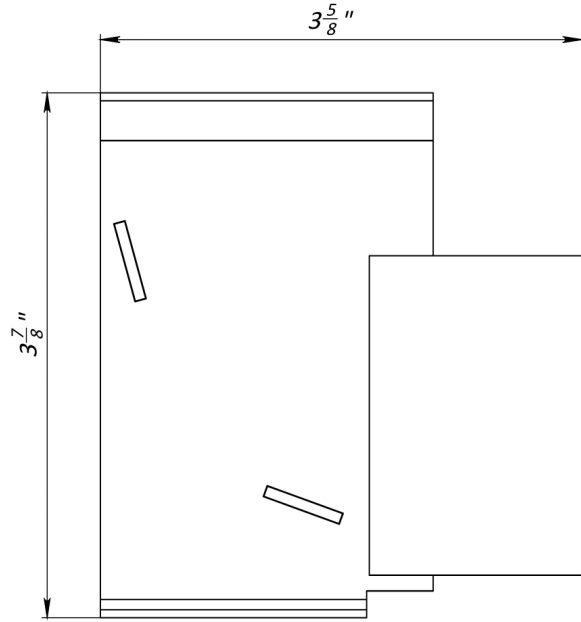
Copy inv. No.

Repl. Inv. No.

Sign. and date

Orig. Inv. No.

4" Stainless Steel Corner Adapter



Deviation of the actual weight of the nominal can be up to 10%

									Art. 6903-1T-100
									4" Stainless Steel Corner Adapter
									Let. Weight (lb) Scale
									6903-1T-100
									0.27 1:2
									Sheet Sheets 1
									Stainless Steel
									VODALAND