

Primary Usage

Reference No.

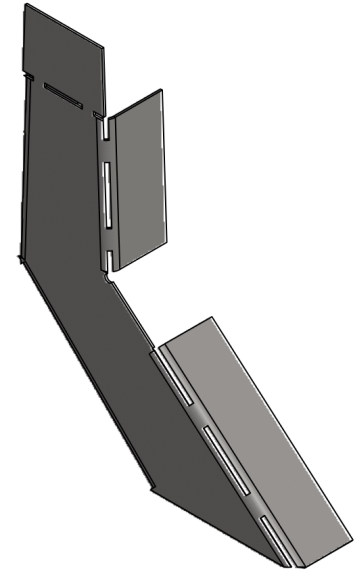
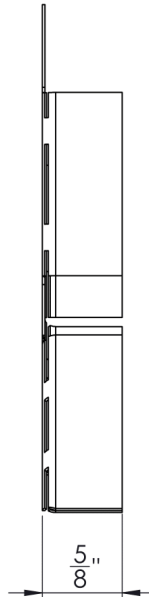
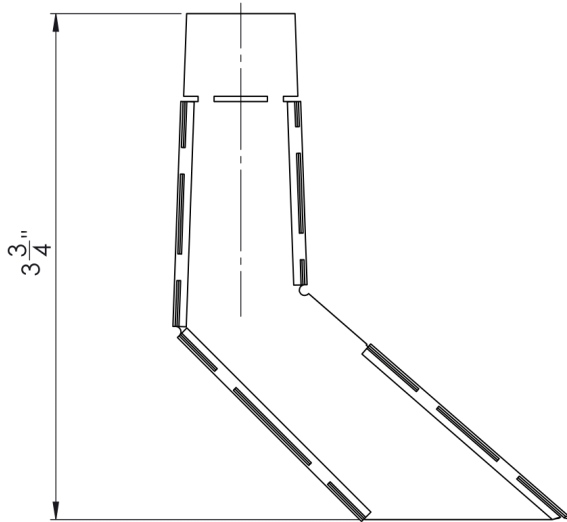
Sign. and date

Copy inv. No.

Repl. Inv. No.

Sign. and date

Orig. Inv. No.



									Art. 6967-1L-100-L
									EndCap Left for Wall Slot Drain
									Let. Weight (lb) Scale
									6967-1L-100-L
									0.04 1:1
									Sheet Sheets 1
									Stainless Steel
									VODALAND