

Primary Usage

Reference No.

Sign. and date

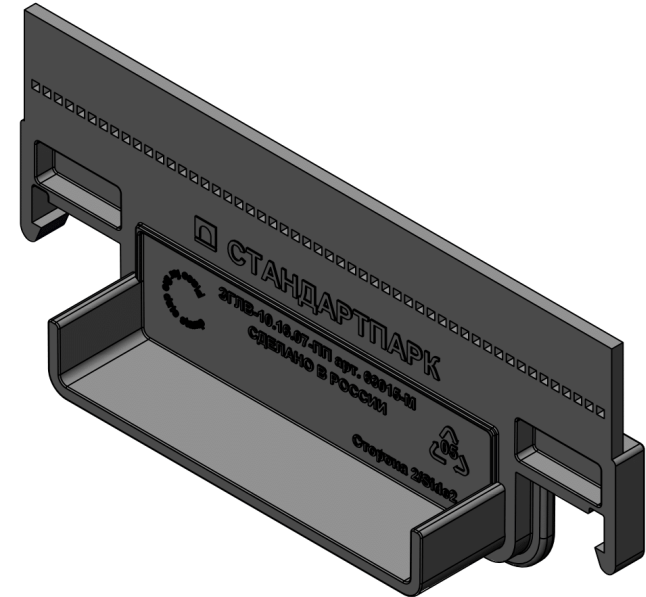
Copy inv. No.

Repl. Inv. No.

Sign. and date

Orig. Inv. No.

4" End Cap



1. Deviation of the actual weight of the nominal can be up to 12%

									Art. 63015-M
									4" End Cap
Rev.	Sheet	Doc. No.	Sign.	Data					Let.
				23.06.20					Weight (lb)
									Scale
									0.083
									1:2
									Sheet
									Sheets 1
									Plastic
									VODALAND