

Primary Usage

Reference No.

Sign. and date

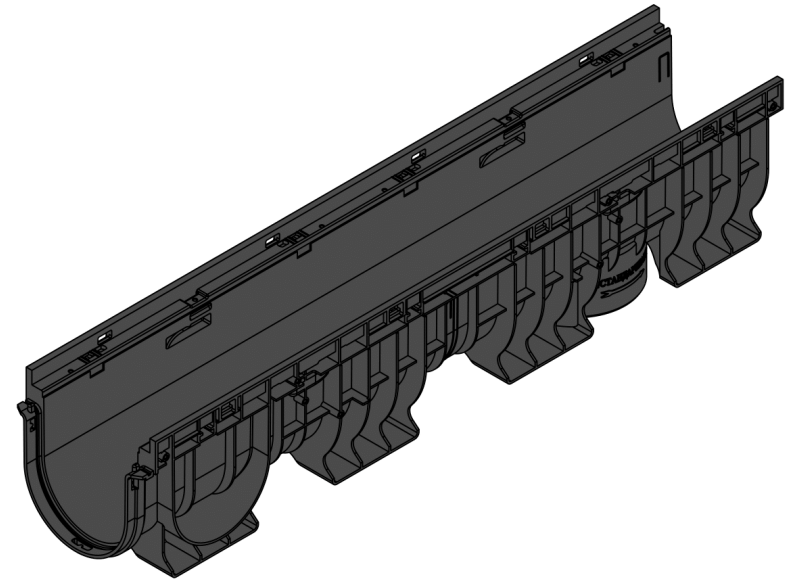
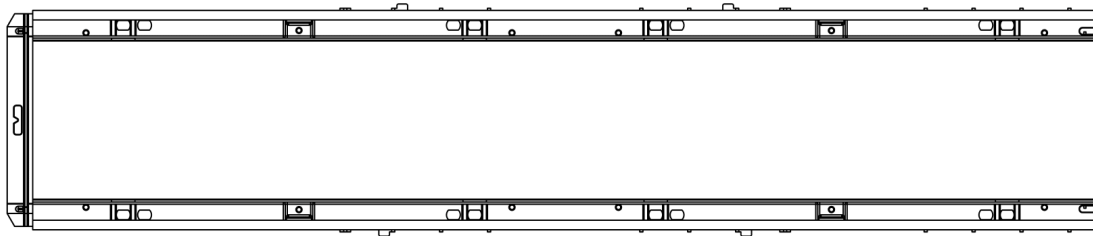
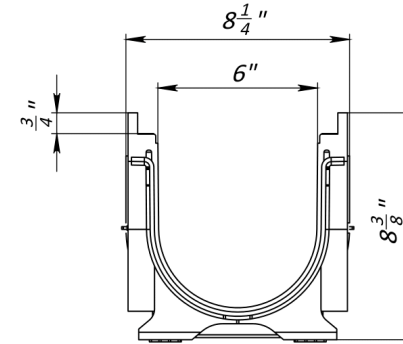
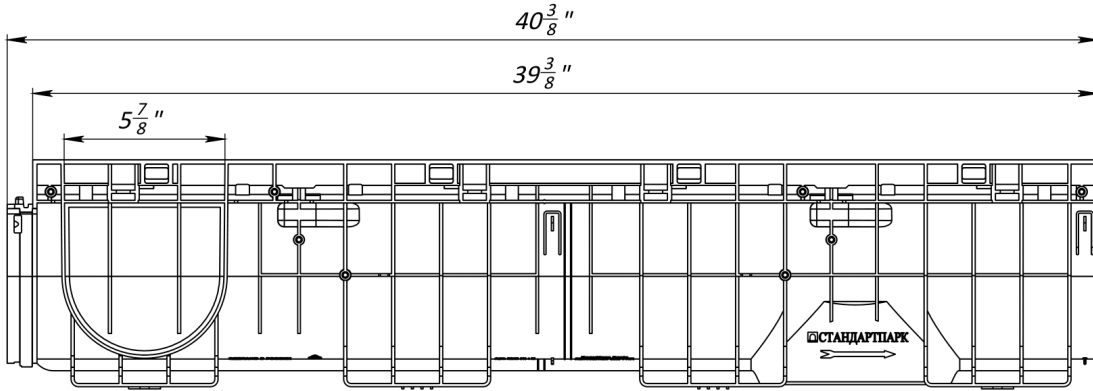
Copy inv. No.

Repl. Inv. No.

Sign. and date

Orig. Inv. No.

6" Plastic Channel



									Art. 82401-M
									6" Plastic Channel
									Let. Weight (lb) Scale
									6.5 1:5
									Sheet Sheets 1
									Plastic
									VODALAND

NP-PC82401-M

Plastic