

# Technical passport

Equipment: Grease separator



**Material:**

The equipment is made of high density polyethylene.

The material is a copolymer of linear, medium density polyethylene with a dense molecular structure.

Normally comes in powder form.

It has the following technical qualities:

- high impact resistance,
- excellent appearance of the inner and outer surfaces
- resistance to UV radiation.

<b>Physical Properties</b>	<b>Parameters</b>	<b>According to standard</b>
Density	938 kg / m <sup>3</sup>	ISO 1872
Fluidity index	4 g / 10 min	ISO 1133
Tensile strength within elasticity	16 MPa	ISO / R527
Bending factor	650 MPa	ISO 178
Resistance to impact	20 kJ / m <sup>2</sup>	ISO 179-1982
Hardness	62	ISO / K868-1968
Melting temperature	125 ° C	ASTM D 2117
Softening temperature	117 ° C	ISO 306
Thermal conductivity	0.48 W / m ° C	ASTM C 177
Water absorption	<0,03%	ISO 62

The above physical property values are standard values; they are calculated based on the mean (some variations are possible).

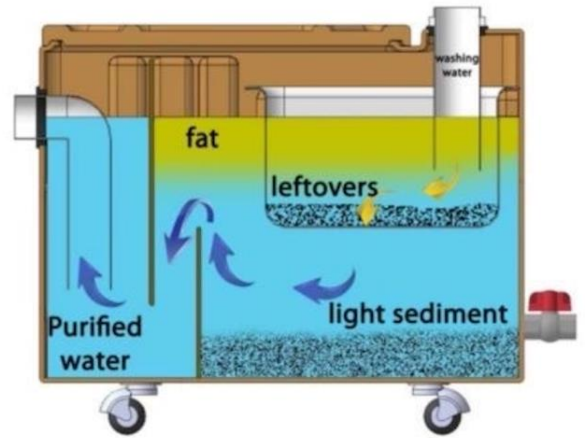
**How it works:**

The grease separator is designed to treat sewage from fat and food residues in catering establishments. The grease separator prevents sewage pipes from clogging.

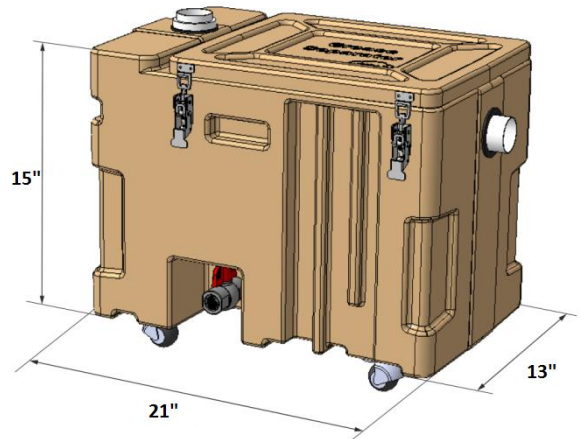
The fat rises upwards and is trapped by the septum, the large residues are filtered by a mesh, and the small residues are deposited on the bottom of the separator. The sewage enters the treated water.

**Description:**

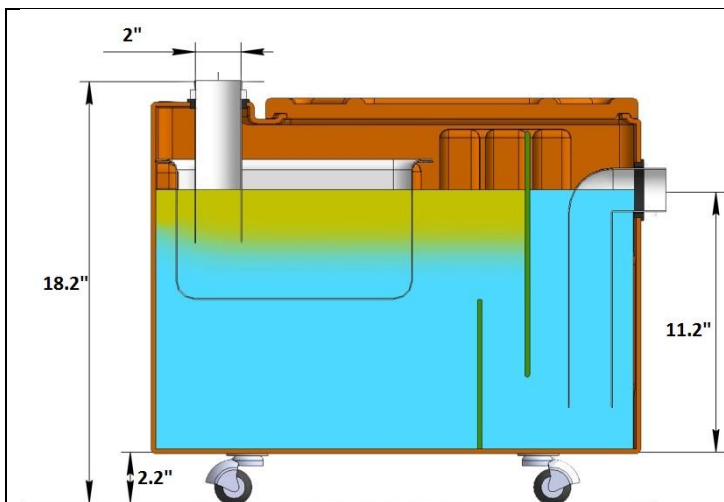
The separator is made of food grade plastic, and is a sealed container with sections, filter and cover. All parts are made of materials resistant to hot water and chemicals.



- high density polyethylene tank,
- high-density polyethylene cover, closed with clips,
- inlet and outlet pipes with a diameter 2",
- plastic sections,
- filter mesh,
- metal wheels,
- metal crane.



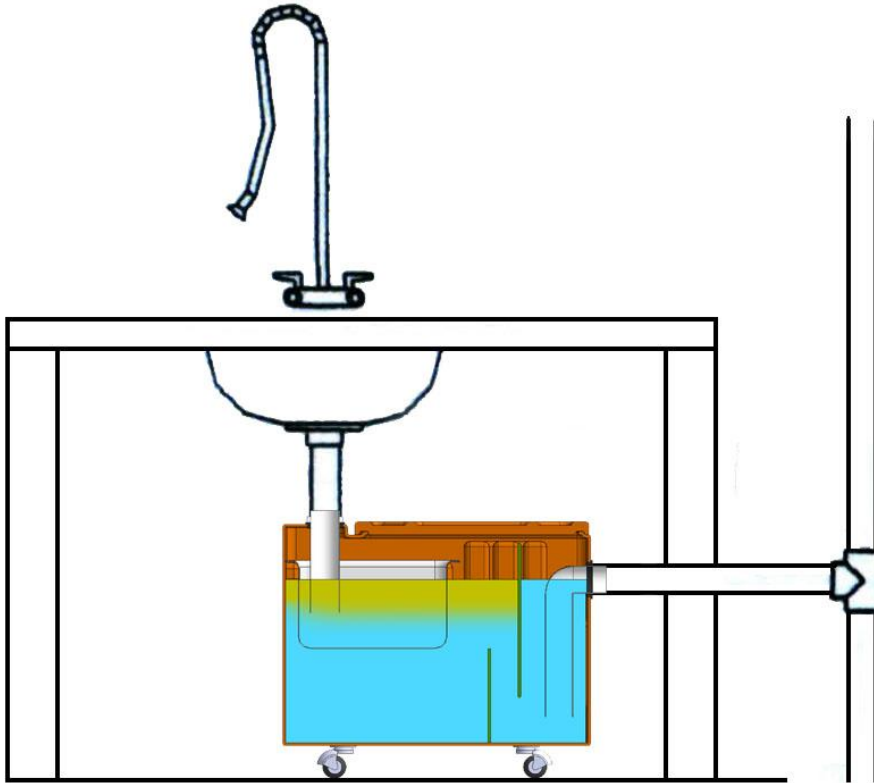
**Technical information:**



Overall dimensions	
Height	15"
Length	21"
Width	13"
Working volume	13 gal lqd
Weight	15lb
Productivity	8 gpm
Inlet diameter	2"
Output diameter	2"
Material	Polyethylene

**Installation:**

- Place the separator in a horizontal position.
- Connect the inlet and outlet nozzles of the separator.
- Fill the tank with water.

**Service:**

It is recommended to clean the separator filter mesh at least once a week (depending on the operating modes).

If there is too much fine sediment in the tank, it is necessary to drain the water with a special crane and remove all unnecessary waste.

**Warning! After servicing the separator, be sure to fill it with water.**

**Warranty obligations:**

The Sky7 TM separator meets the requirements of the existing ones in Ukraine and the European Union.

In case of defects in the products within the warranty period, the buyer can contact the seller.

If the defect is recognized as a manufacturing defect, the product will be replaced by a new one.

In the event of warranty issues, the buyer has the right to contact the seller to resolve them.