

Primary Usage

Reference No.

Sign. and date

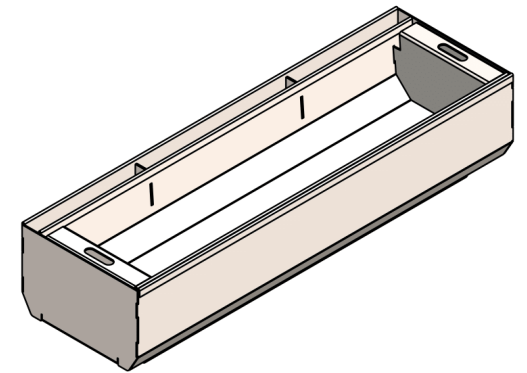
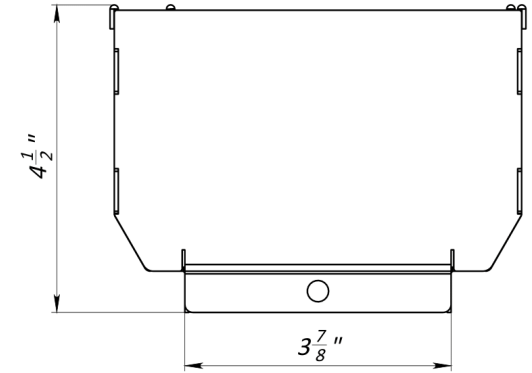
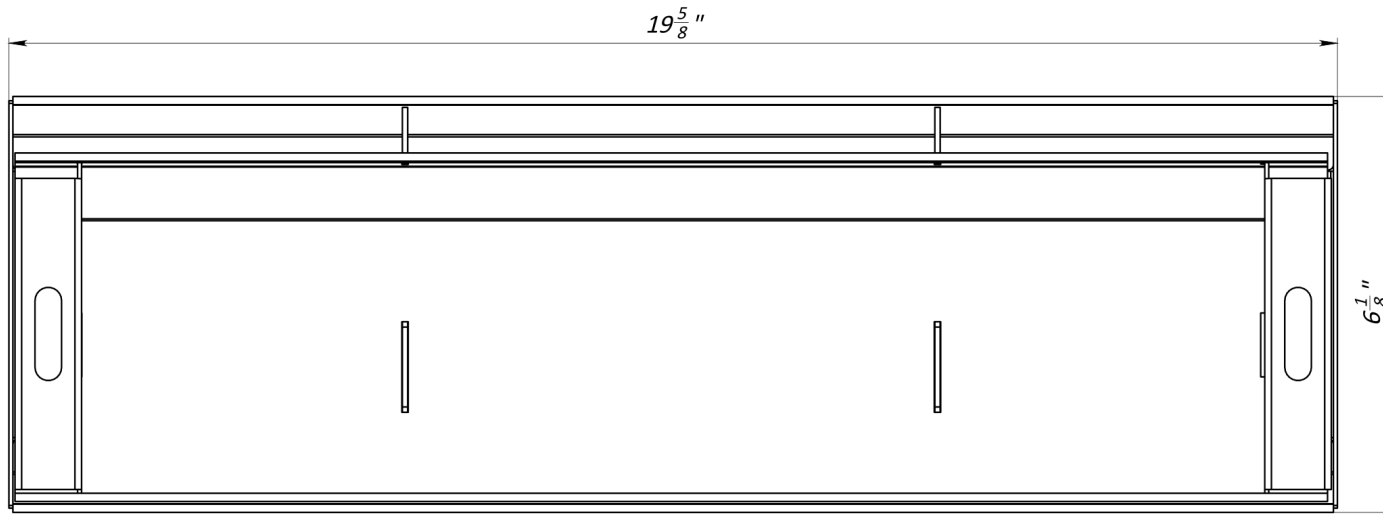
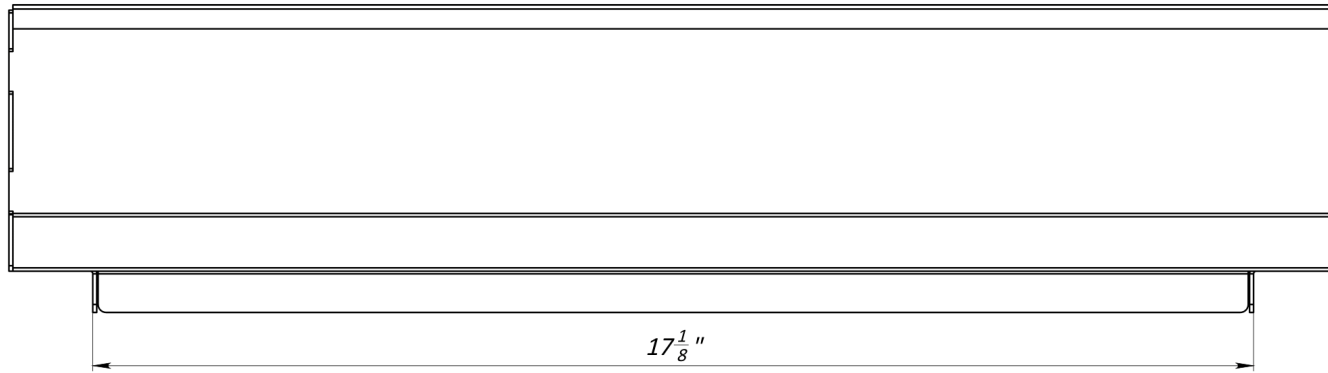
Copy inv. No.

Repl. Inv. No.

Sign. and date

Orig. Inv. No.

4" Galvanized Steel Revision Wall Slot Drain



- 1. Area of water intake slots 13 sq in
- 2. Deviation of the actual weight of the nominal can be up to 10%

Rev.	Sheet	Doc. No.	Sign.	Data
				11.09.18

Art. 20175-1L-100		
4" Galvanized Steel Revision Wall Slot Drain		
Let.	Weight (lb)	Scale
	9.47	1:2
Sheet	Sheets 1	
Galvanized Steel		VODALAND