

Primary Usage

Reference No.

Sign. and date

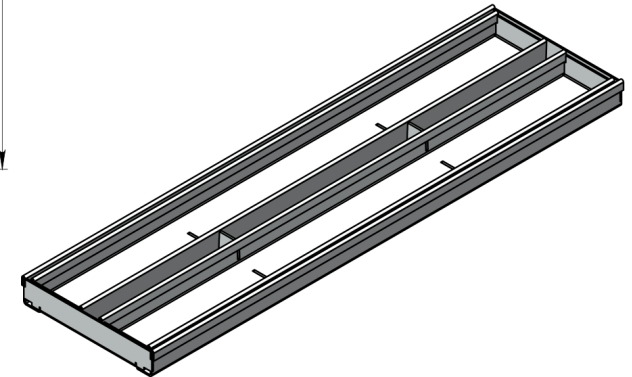
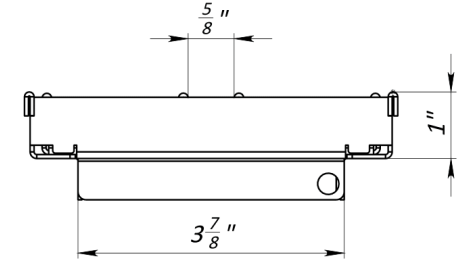
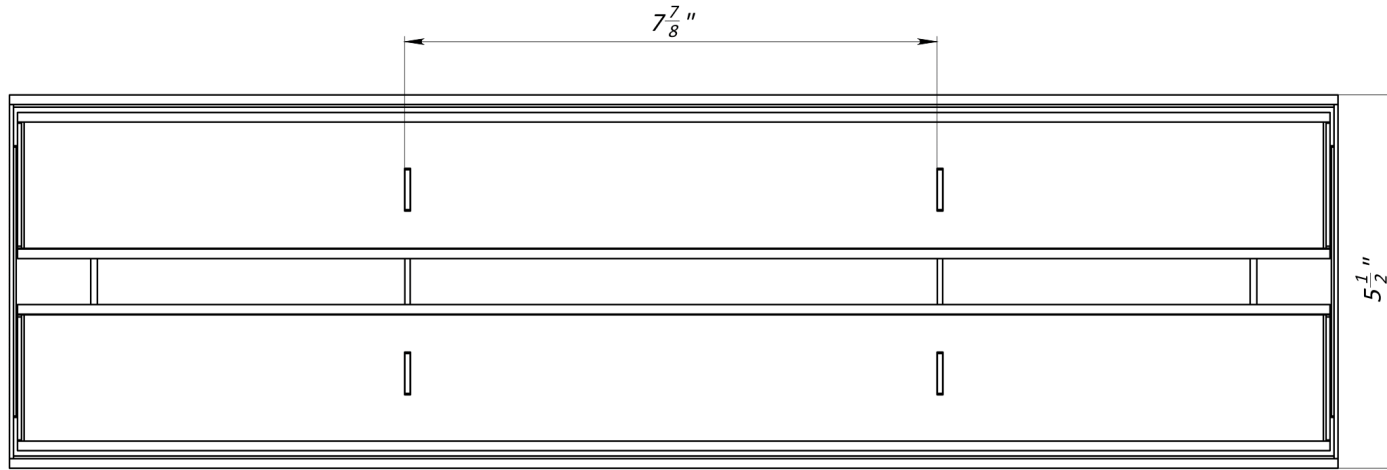
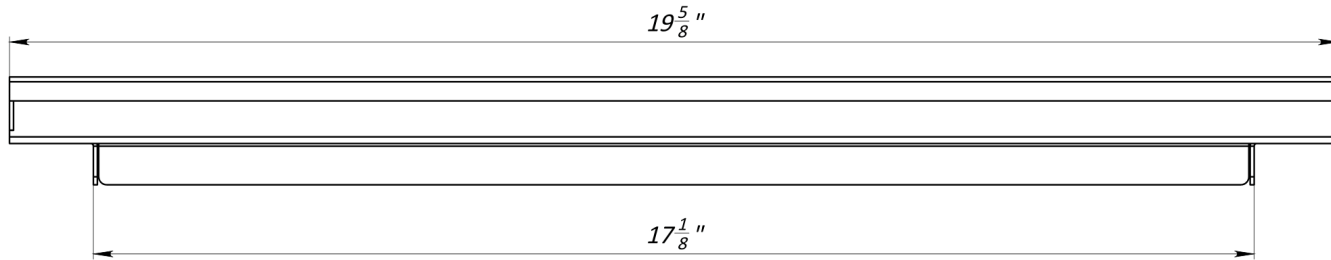
Copy inv. No.

Repl. Inv. No.

Sign. and date

Orig. Inv. No.

4" Stainless Steel Revision Micro Slot Drain



- 1. Area of water intake slots 13 sq in
- 2. Deviation of the actual weight of the nominal can be up to 10%

									Art.	20975-1T-25	
									4" Stainless Steel Revision Micro Slot Drain		
									Let.	Weight (lb)	Scale
										5.24	1:2
									Sheet	Sheets 1	
									Stainless Steel		VODALAND