

Primary Usage

Reference No.

Sign. and date

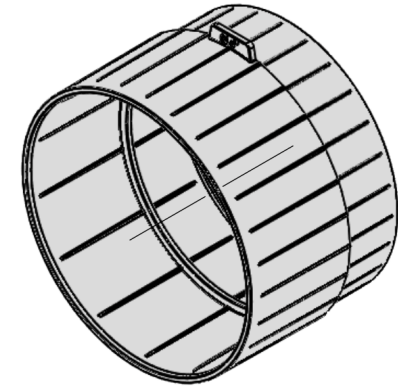
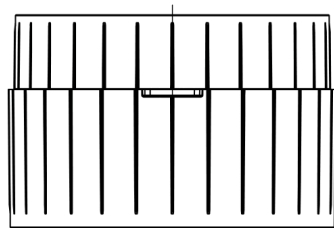
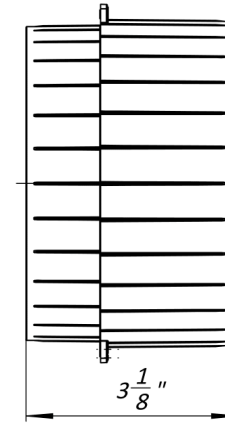
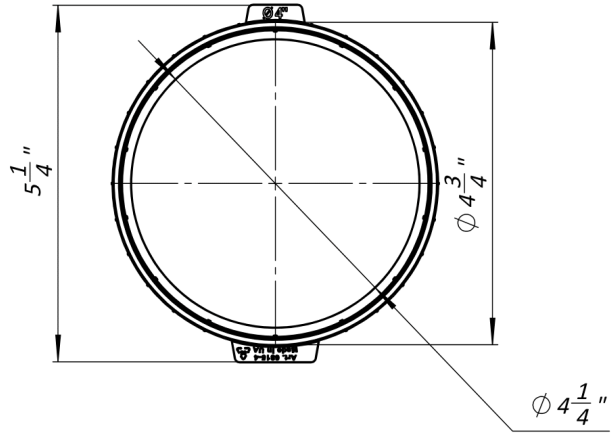
Copy inv. No.

Repl. Inv. No.

Sign. and date

Orig. Inv. No.

4" Pipe Adapter



1. Deviation of the actual weight of the nominal can be up to 12%

									Art.	6815-4	
									4" Pipe Adapter		
									Let.	Weight (lb)	Scale
										0.22	1:2
									Sheet	Sheets 1	
									Plastic		