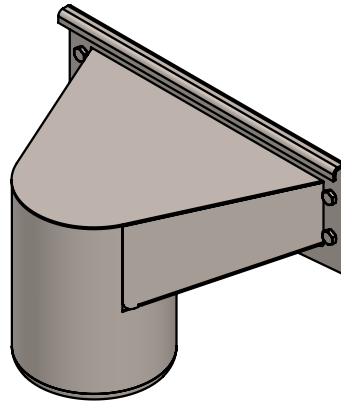
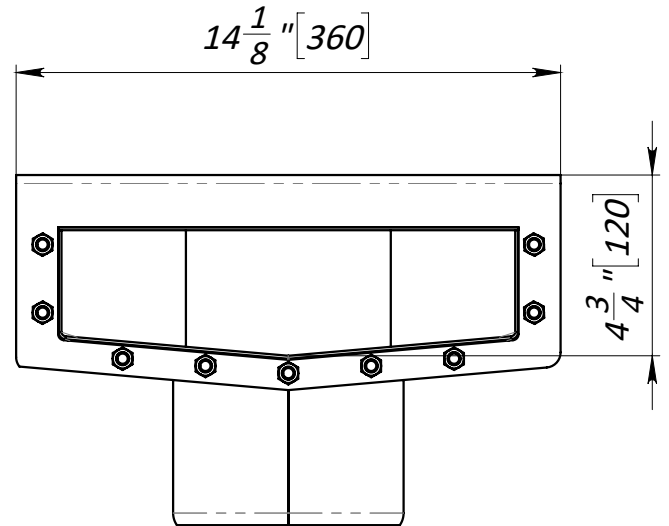
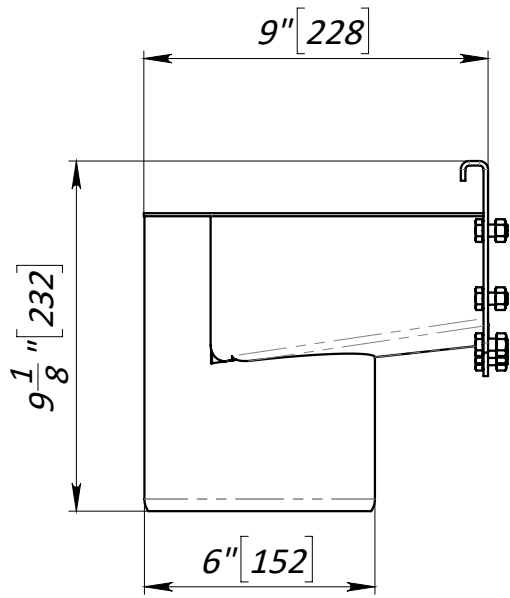


1. *Dimensions for reference, inch [mm]*
2. *Delivery and packaging are carried out in accordance with the terms of the contract*
3. *The manufacturer reserves the right, without notice to the consumer, to make changes to the design of the products for improvement of their technological and operational parameters, which will not affect the quality and properties of the product.*

UNLESS OTHERWISE SPECIFIED: DIMENSIONS ARE IN MILLIMETERS SURFACE FINISH: TOLERANCES: ISO 2768-m LINEAR: ANGULAR:		FINISH:  <b>Passivation</b>		DEBURR AND BREAK SHARP EDGES		DO NOT SCALE DRAWING		REVISION																							
<table border="1"> <thead> <tr> <th>NAME</th> <th>SIGNATURE</th> <th>DATE</th> </tr> </thead> <tbody> <tr> <td>DRAWN Halushka</td> <td></td> <td>07.09.22</td> </tr> <tr> <td>CHK'D Karetin</td> <td></td> <td></td> </tr> <tr> <td>APPV'D</td> <td></td> <td></td> </tr> <tr> <td>MFG</td> <td></td> <td></td> </tr> <tr> <td>Q.A</td> <td></td> <td></td> </tr> </tbody> </table>						NAME	SIGNATURE	DATE	DRAWN Halushka		07.09.22	CHK'D Karetin			APPV'D			MFG			Q.A			<b>VODALAND</b> <b>12" Stainless Steel End Cap vertical outlet 6" for module system Type A</b>				ARTICLE:		A4	
						NAME	SIGNATURE	DATE																							
						DRAWN Halushka		07.09.22																							
						CHK'D Karetin																									
						APPV'D																									
MFG																															
Q.A																															
MATERIAL: <b>Stainless Steel (AISI 304)</b>				ARTICLE: <b>992720</b>																											
WEIGHT: 6.95 lb /3.16kg				SCALE:1:5		SHEET 1 OF 4																									



1. *Dimensions for reference, inch [mm]*
2. *Delivery and packaging are carried out in accordance with the terms of the contract*
3. *The manufacturer reserves the right, without notice to the consumer, to make changes to the design of the products for improvement of their technological and operational parameters, which will not affect the quality and properties of the product.*

UNLESS OTHERWISE SPECIFIED:  
 DIMENSIONS ARE IN MILLIMETERS  
 SURFACE FINISH:  
 TOLERANCES: ISO 2768-m  
 LINEAR:  
 ANGULAR:

FINISH:

Passivation

DEBURR AND  
 BREAK SHARP  
 EDGES

DO NOT SCALE DRAWING

REVISION



TITLE:

**12" Stainless Steel End Cap  
 vertical outlet 6" for module  
 system Type B**

NAME	SIGNATURE	DATE
DRAWN Halushka		07.09.22
CHK'D Karetin		
APPV'D		
MFG		
Q.A		

MATERIAL:

Stainless Steel

ARTICLE:

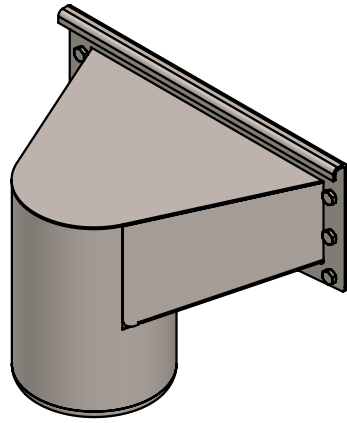
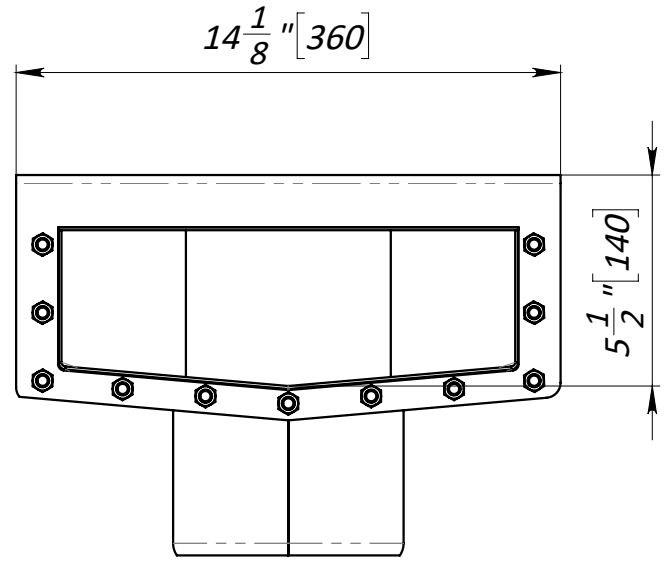
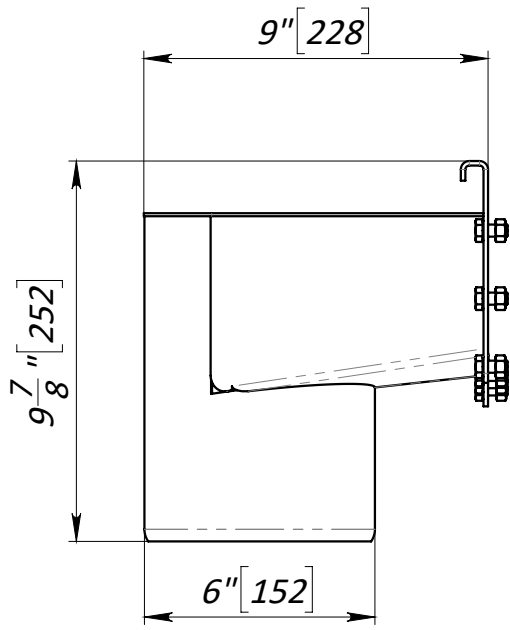
992721

A4


WEIGHT: 7.39 lb /3.36kg

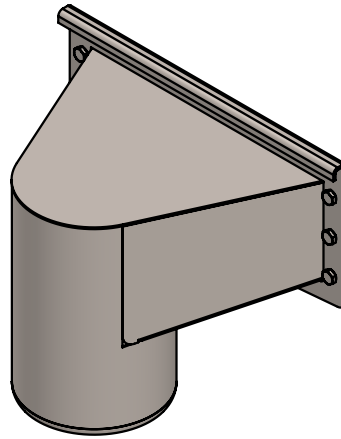
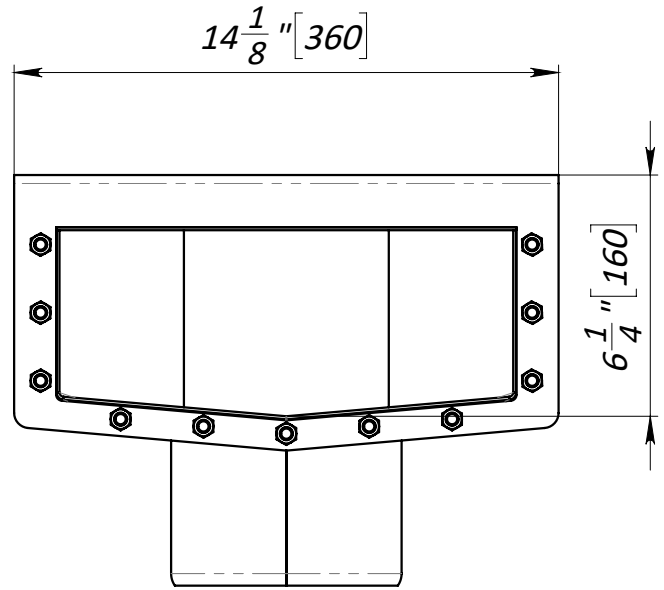
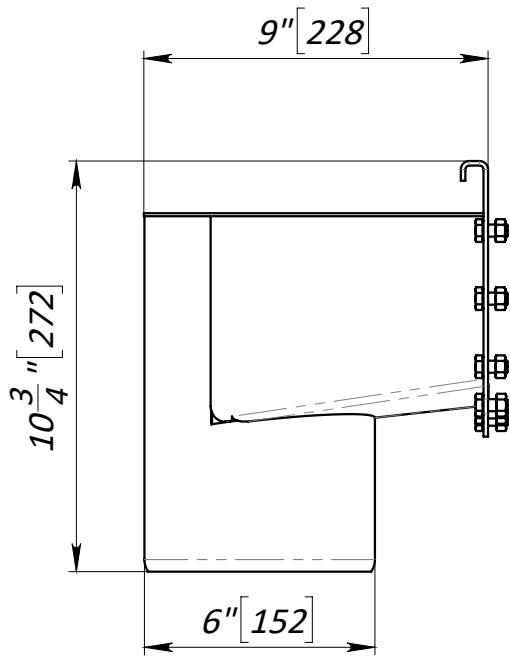
SCALE:1:5

SHEET 2 OF 4



1. Dimensions for reference, inch [mm]
2. Delivery and packaging are carried out in accordance with the terms of the contract
3. The manufacturer reserves the right, without notice to the consumer, to make changes to the design of the products for improvement of their technological and operational parameters, which will not affect the quality and properties of the product.

UNLESS OTHERWISE SPECIFIED: DIMENSIONS ARE IN MILLIMETERS SURFACE FINISH: TOLERANCES: ISO 2768-m LINEAR: ANGULAR:		FINISH:  Passivation		DEBURR AND BREAK SHARP EDGES		DO NOT SCALE DRAWING		REVISION	
									
NAME		SIGNATURE		DATE		TITLE:			
DRAWN Halushka				07.09.22		<b>12" Stainless Steel End Cap vertical outlet 6" for module system Type C</b>			
CHK'D Karetin									
APPV'D									
MFG									
Q.A				MATERIAL:		ARTICLE:		A4	
				Stainless Steel (AISI 304)		992722			
				WEIGHT: 7.88 lb /3.58kg		SCALE:1:5		SHEET 3 OF 4	



1. Dimensions for reference, inch [mm]
2. Delivery and packaging are carried out in accordance with the terms of the contract
3. The manufacturer reserves the right, without notice to the consumer, to make changes to the design of the products for improvement of their technological and operational parameters, which will not affect the quality and properties of the product.

UNLESS OTHERWISE SPECIFIED:  
 DIMENSIONS ARE IN MILLIMETERS  
 SURFACE FINISH:  
 TOLERANCES: ISO 2768-m  
 LINEAR:  
 ANGULAR:

FINISH:  
 Passivation

DEBURR AND  
 BREAK SHARP  
 EDGES

DO NOT SCALE DRAWING

REVISION



TITLE:  
 12" Stainless Steel End Cap  
 vertical outlet 6" for module  
 system Type D

NAME	SIGNATURE	DATE
DRAWN Halushka		07.09.22
CHK'D Karetin		
APPV'D		
MFG		
Q.A		

MATERIAL:  
 Stainless Steel (AISI 304)

ARTICLE:  
 992723

A4

WEIGHT: 8.34 lb /3.78kg

SCALE:1:5

SHEET 4 OF 4