

FAQ's

How do I cut out piping?

Use the premarked holes in the side of the basin. First drill into the inside and then use a small saw, such as a key hole saw to cut the rest out.

What type of sealant should I use?

We recommend using Vodaland's 100% Silicone Sealant.

Do I have to install the catch basin in concrete?

No, our catch basins can be installed in grass, sand, gravel and more. However, they will only be for pedestrian use without a concrete installation.

If I am using a different size piping, ABS, PVC or corrugated piping, how should I attach it?

We sell adapters for schedule 40 PVC. However, if that size will not work, we recommend using an adjustable coupling such as a Fernco Coupling.

Thank you for your purchase

If you're satisfied with our product, we would really appreciate it if you took a quick moment to leave a review!



If you have any problems with your order or have questions, please contact us directly to resolve your issue!

☎ 314-717-1551

Additional products shown are:



Sealant



Grate Tape

Contacts:

📍 3120 Riverport Tech Center
Dr. Maryland Heights
MO 63043-4825

Social Media handles:

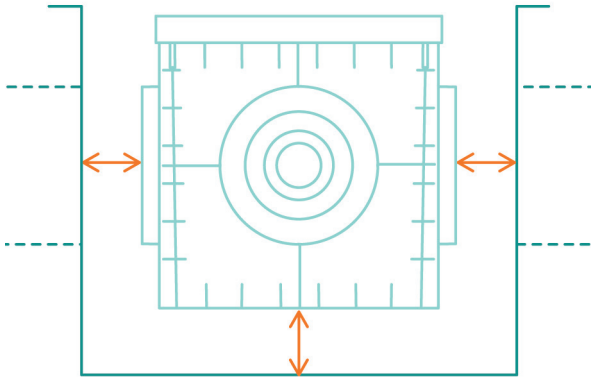
- ▶ youtube.com/@vodalandusa
- 📷 instagram.com/vodaland_usa
- 🌐 vodaland-usa.com
- 📘 facebook.com/vodalandUSA



Catch Basin Installation Guide

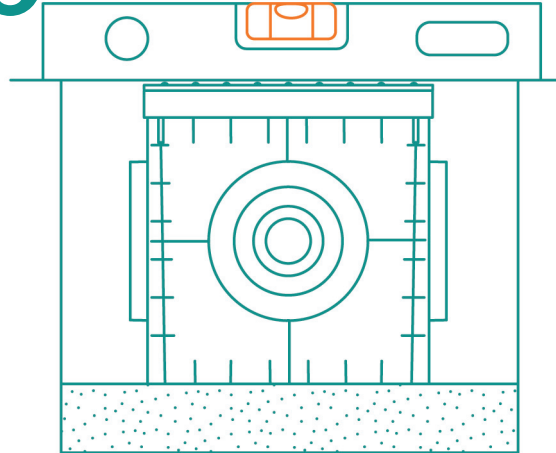


1



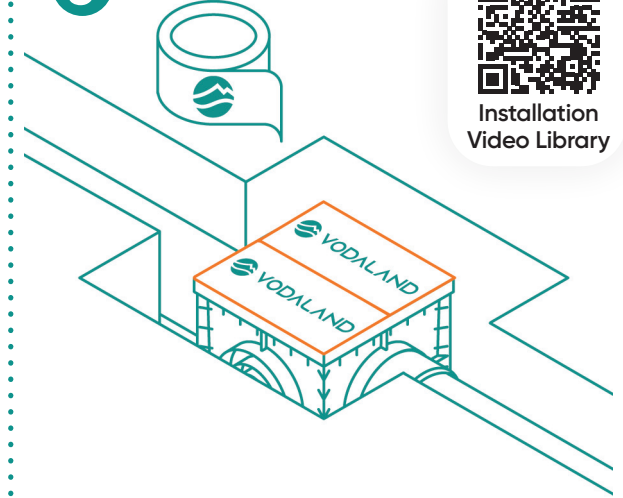
Dig hole in ground large enough to fit the basin, base and brackets (if brackets are utilized).

3



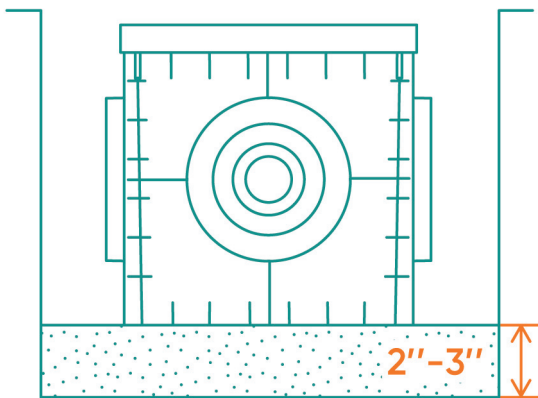
Place basin in hole (Install brackets, if utilizing). Ensure the grating is flush with surrounding ground.

5



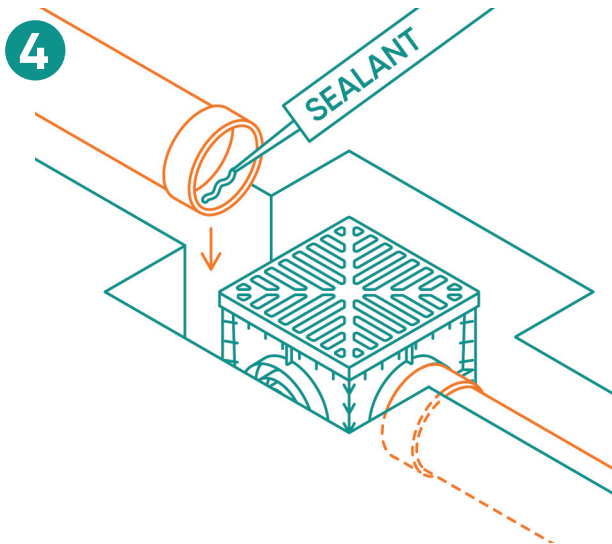
Cover the grating with Grate Tape

2



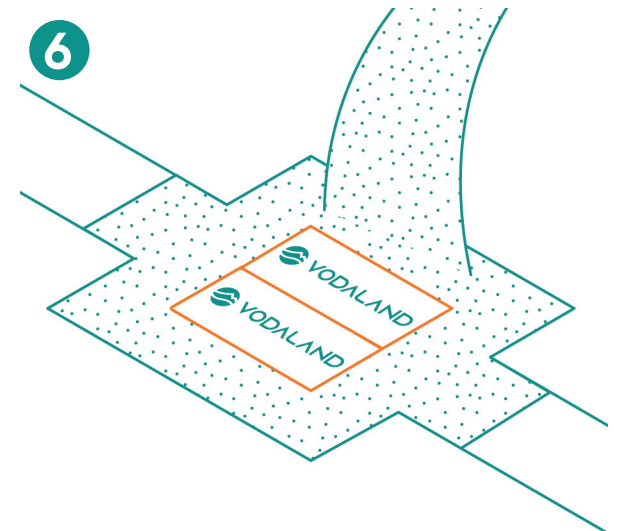
Place and compact 2"-3" of base gravel or concrete at the bottom of the hole.

4



Connect piping and seal all connection points.

6



Pour 2"-3" of concrete / aggregate around the basin. Wait 1-2 days for concrete to cure.