

Primary Usage

Reference No.

Sign. and date

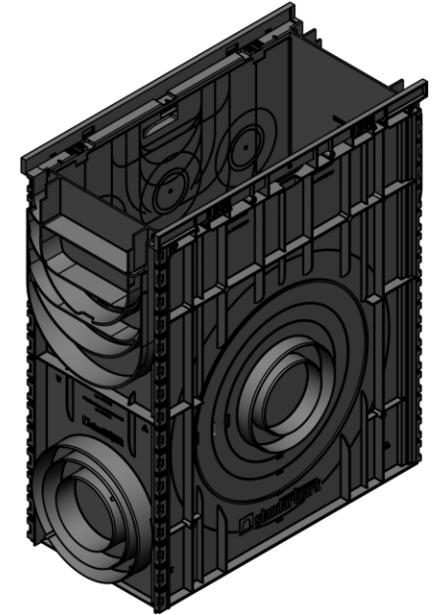
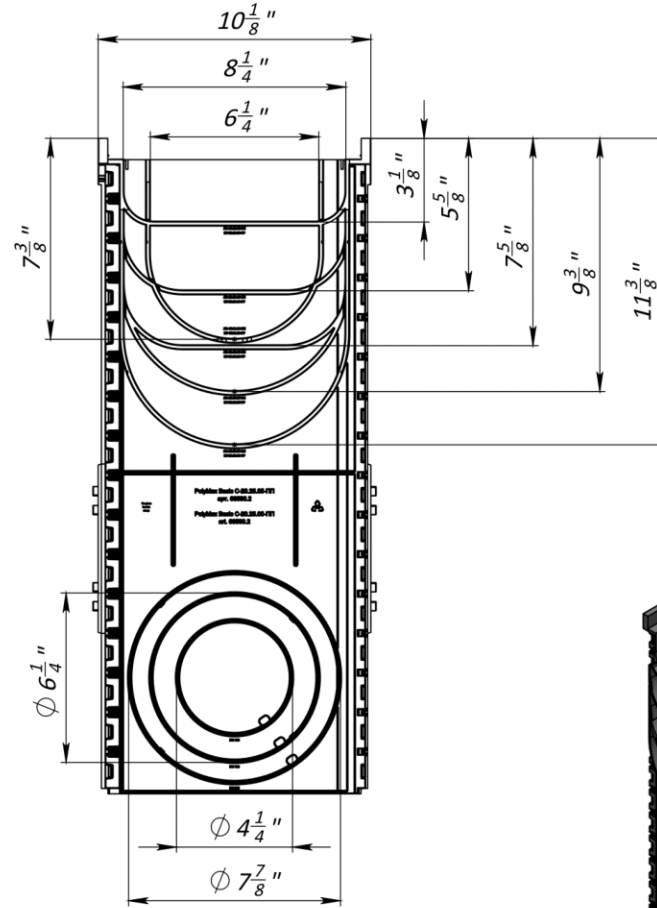
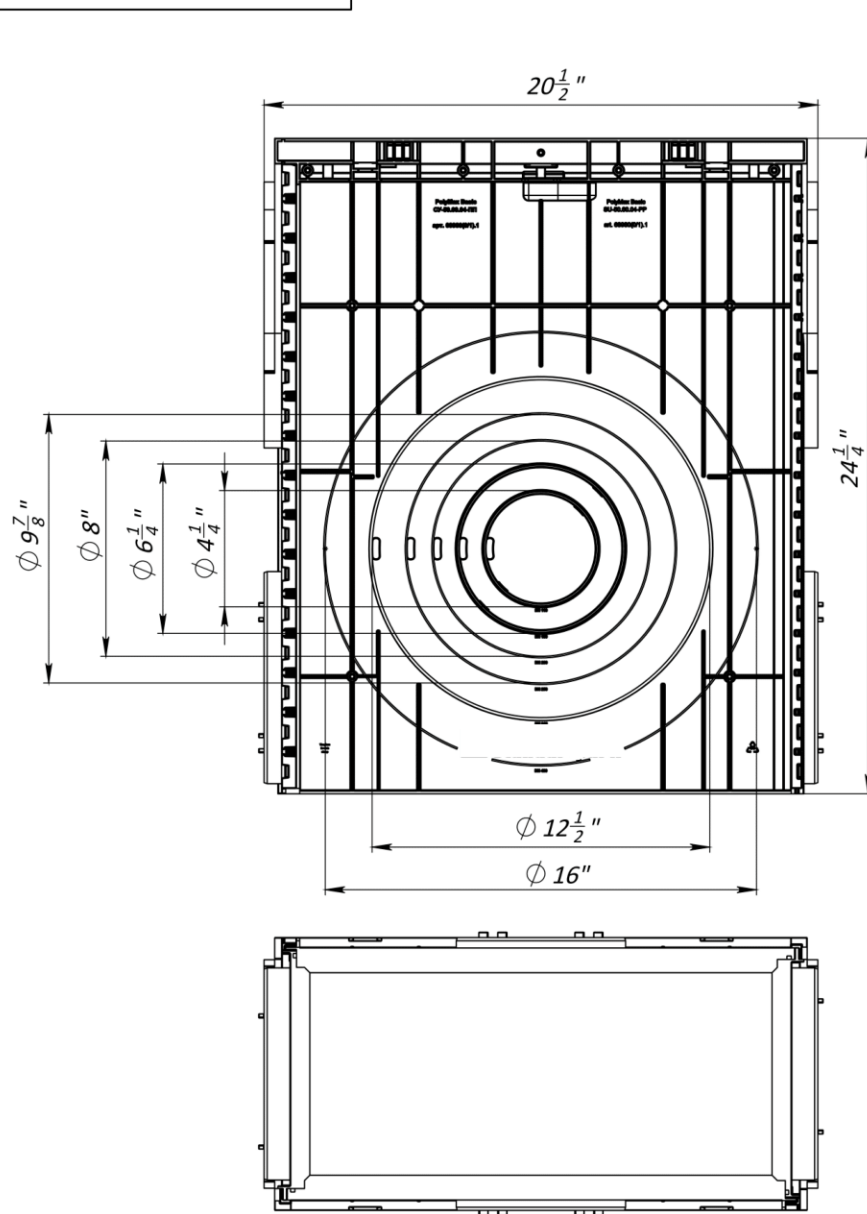
Copy inv. No.

Repl. Inv. No.

Sign. and date

Orig. Inv. No.

8" Plastic Sand Trap



Deviation of the actual weight of the nominal can be up to 10%

				Art. 8580107				
				8" Plastic Sand Trap				
Rev.	Sheet	Doc. No.	Sign.	Data	<b>8580107</b>	Let.	Weight (lb)	Scale
				11.09.18			9.5	1:5
					Load Class C	Sheet		Sheets 1
					Plastic			