

Primary Usage

Reference No.

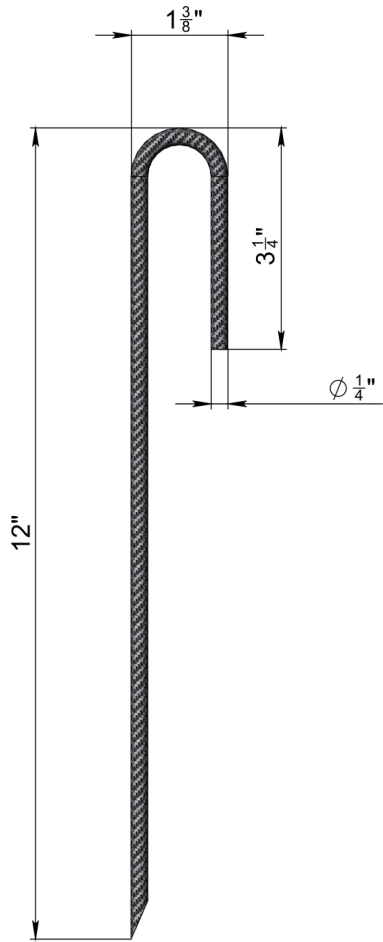
Sign. and date

Copy inv. No.

Repl. Inv. No.

Sign. and date

Orig. Inv. No.



1. \* - Dimensions for reference;
2. Unspecified marginal deviation of dimensions H14, h14,  $\pm IT14/2$ ;
3. Delivery and packaging are carried out in accordance with the terms of the contract
4. The manufacturer reserves the right, without notice to the consumer, to make changes to the design of the products for improvement their technological and operational parameters, which will not affect the quality and properties of the product.

									Art. 5000.3190
									<b>Anchor J shaped</b>
									Let. Weight (lb) Scale
Rev. Sheet	Doc. No.	Sign.	Data						5000.3190
			14.04.20						0.22 1:2
								Sheet	Sheets 1
									Galvanized Steel
									VODALAND