

Primary Usage

Reference No.

Sign. and date

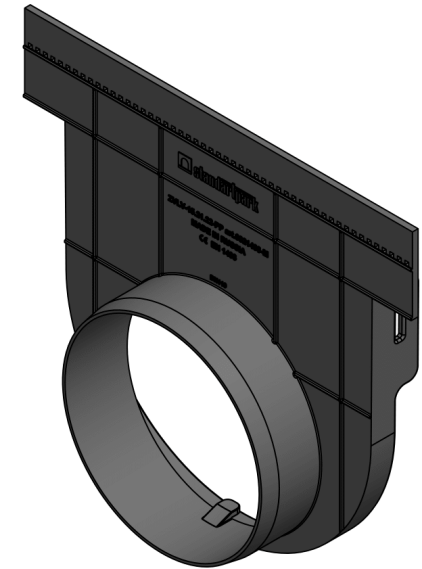
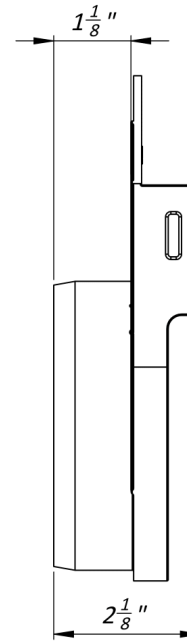
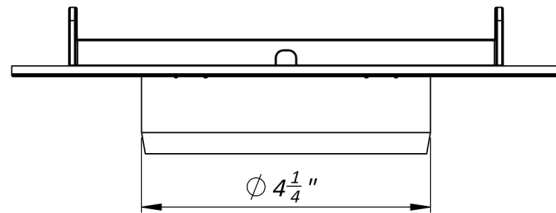
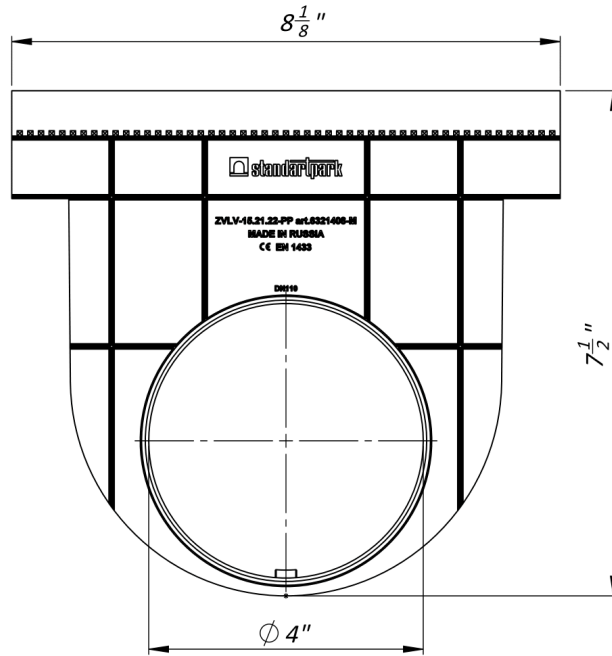
Copy inv. No.

Repl. Inv. No.

Sign. and date

Orig. Inv. No.

6" End Cap with outlet



Deviation of the actual weight of the nominal can be up to 10%

										Art.	6321408-M	
										6" End Cap with outlet		
										Let.	Weight (lb)	Scale
											0.2	1:2
										Sheet	Sheets 1	
										Plastic		

Rev.	Sheet	Doc. No.	Sign.	Data
				11.09.18

**6321408-M**