

Primary Usage

Reference No.

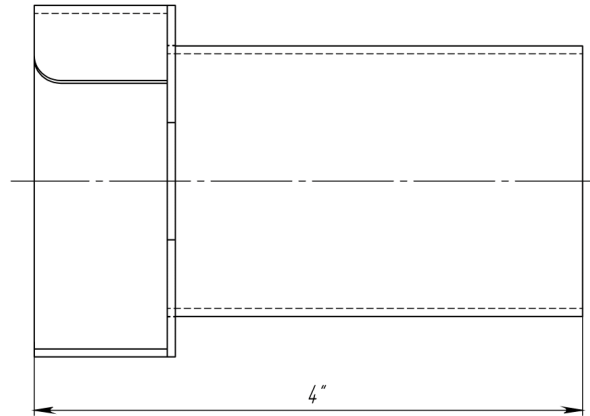
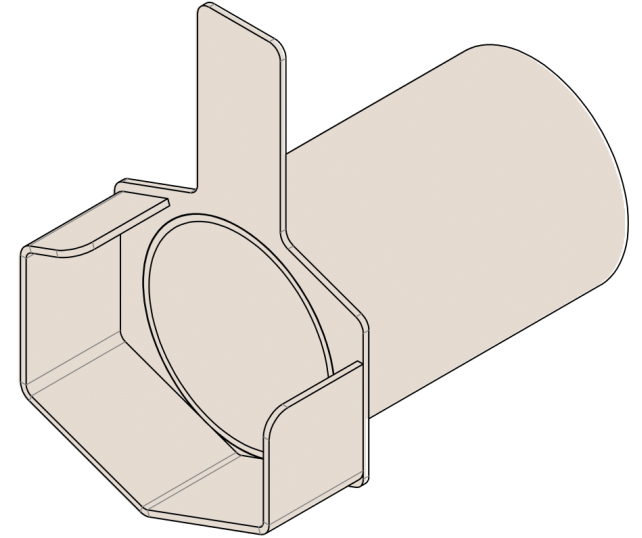
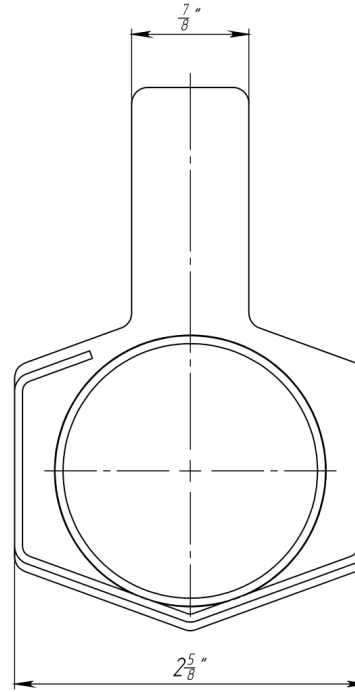
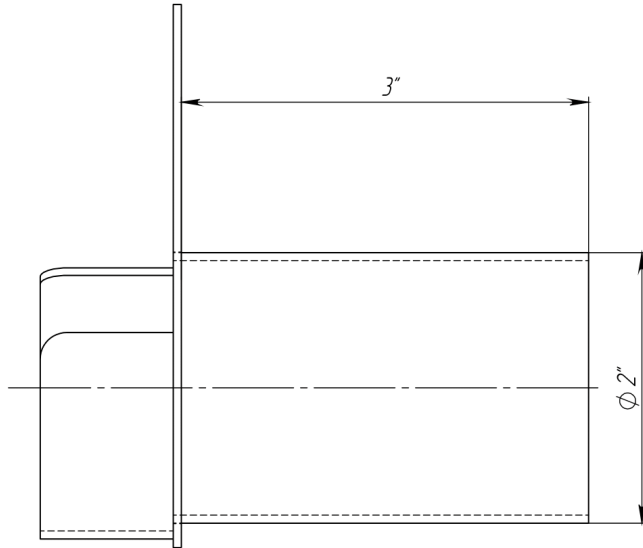
Sign. and date

Copy inv. No.

Repl. Inv. No.

Sign. and date

Orig. Inv. No.



1. Dimensions for reference;
2. Unspecified marginal deviation of dimensions H14, h14, $\pm IT14/2$;
3. General tolerances of form and placement - GOST 30893.2;
4. Delivery and packaging are carried out in accordance with the terms of the contract
5. The manufacturer reserves the right, without notice to the consumer, to make changes to the design of the products for improvement their technological and operational parameters, which will not affect the quality and properties of the product.

Quantity, pcs. _____ Agreed with the customer _____ Date _____

						Art.	SSSDV4U		
						Mini Slot End Caps with outlet			
							Let.	Weight (lb)	Scale
								0.21	1:1
							Sheet	Sheets 1	
						SSSDV4U			
						Load class A15			
						Stainless Steel			
						VODALAND			