

FAQ's

If I am using a different size piping, ABS, PVC or corrugated piping, how should I attach it?

We sell adapters for schedule 40 PVC. However, if that size will not work, we recommend using an adjustable coupling such as a Fernco Coupling.

Do I have to install the trench drains in concrete?

No, however to reach the drain's marked load class, it will need at minimum 2"-3" of concrete.

Do the end caps need modification?

In some cases, yes. With most end caps being a universal system, some will need to be trimmed. Please call us if you are ever unsure.

How do I make a 90 degree turn?

Most channels will have a place to cut out a perfect 90 degree turn. Simply add a closed end cap to the original end and silicone on the next channel to the 90 degree cut out after its been removed.

Can I cut the channel?

Yes, with the correct tools you can cut the channel and grate to any size you need.

How long can I make a neutral run?

For neutral runs we recommend to have an outlet (at minimum) every 33 linear feet to ensure water flows out without puddles.

Thank you for your purchase

If you're satisfied with our product, we would really appreciate it if you took a quick moment to leave a review!



If you have any problems with your order or have questions, please contact us directly to resolve your issue!

☎ 314-717-1551

Additional products shown are:



Sealant



Grate Tape



Installation brackets

Contacts:

📍 3120 Riverport Tech Center
Dr. Maryland Heights
MO 63043-4825

Social Media handles:

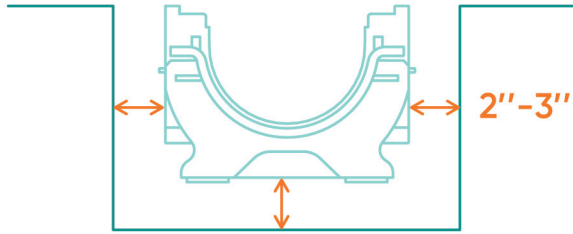
- ▶ youtube.com/@vodalandusa
- 📷 instagram.com/vodaland_usa
- 🌐 vodaland-usa.com
- 📘 facebook.com/vodalandUSA



Channel Drain Installation Guide

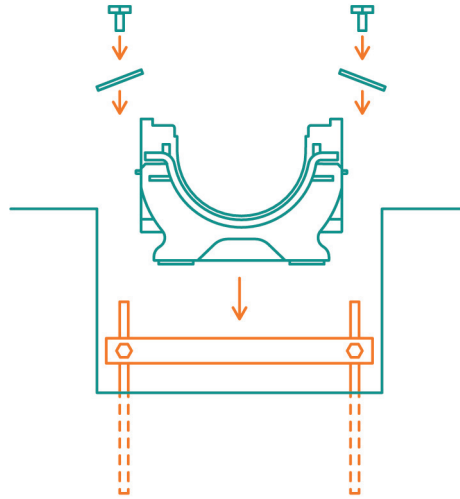


1



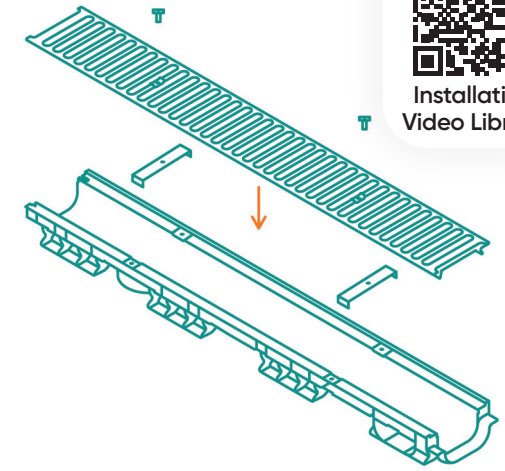
Dig trench (with space for installation brackets if using) with 2"-3" of concrete on all sides channels.

3



Stake in installation brackets to ground with rebar, two per channel, if using brackets. Place and attach channels in the brackets in sequential order.

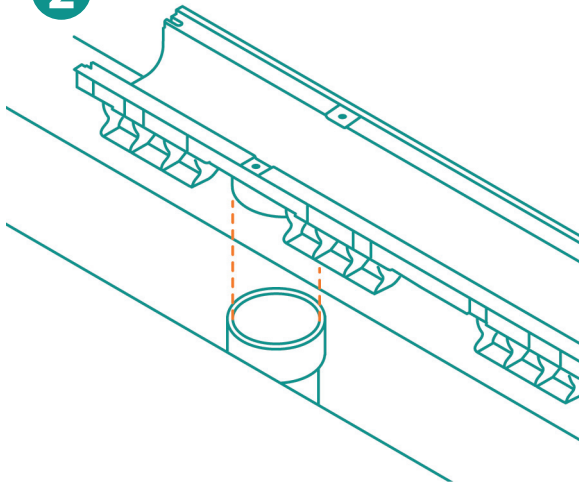
5



Installation Video Library

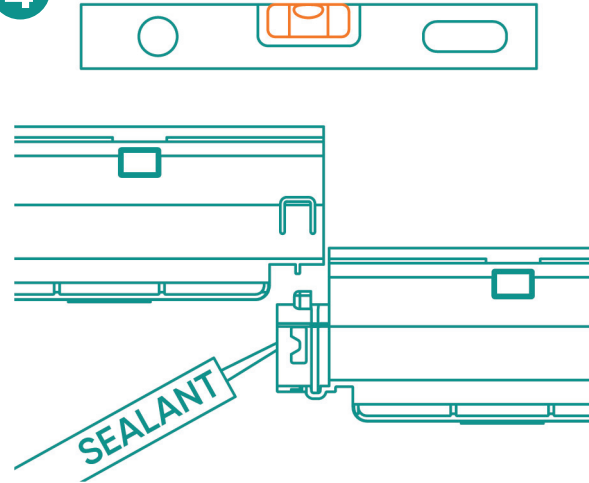
Attach grates to channels then cover with Grate Tape.

2



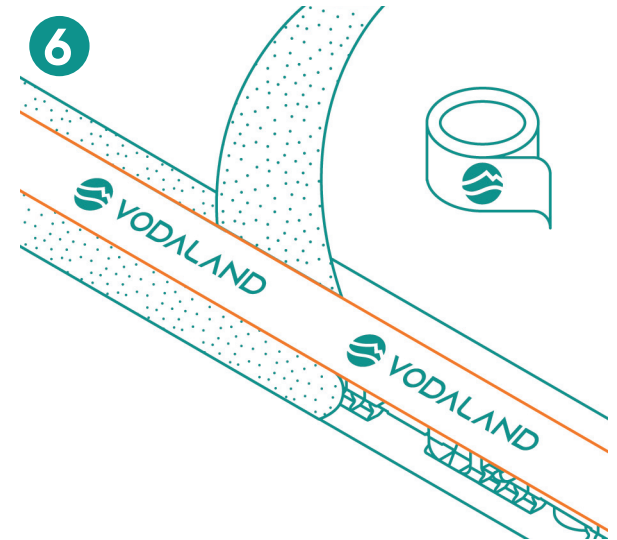
Align channel outlet and piping in ground.

4



Make sure top of channels are level then connect all channels together using silicone sealant on all connection points.

6



Pour concrete flush with top or slightly above. Wait 1-2 days for concrete to cure.