

Primary Usage

Reference No.

Sign. and date

Copy inv. No.

Repl. Inv. No.

Sign. and date

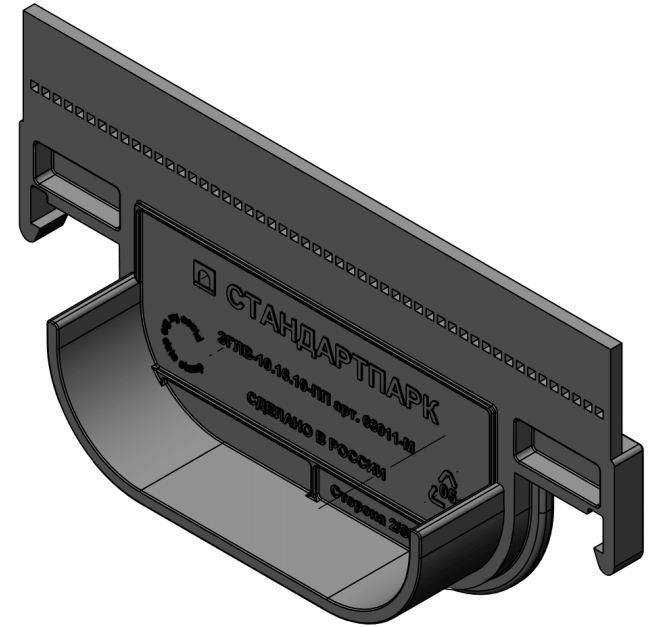
Orig. Inv. No.

4" End Cap

$\frac{1}{8}$ "

$\frac{1}{8}$ "

$3\frac{1}{4}$ "



1. Deviation of the actual weight of the nominal can be up to 12%

									Art. 63011-M
									4" End Cap
									Let. Weight (lb) Scale
									63011-M
									0.092 1:2
									Sheet Sheets 1
									Plastic
									VODALAND