

Primary Usage

Reference No.

Sign and date

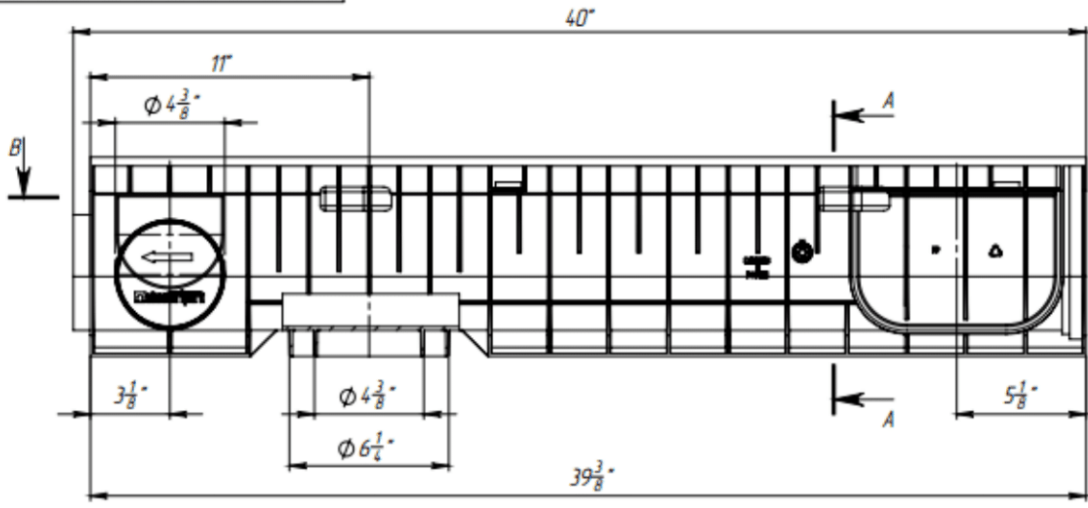
Copy no.

Repl. Inv. No.

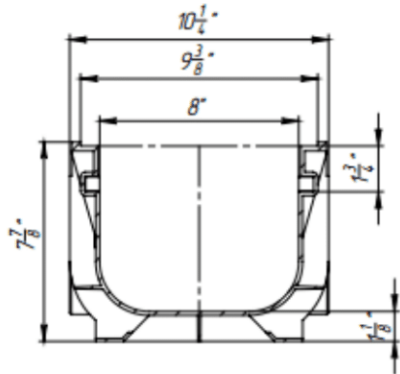
Sign and date

Orig. Inv. No.

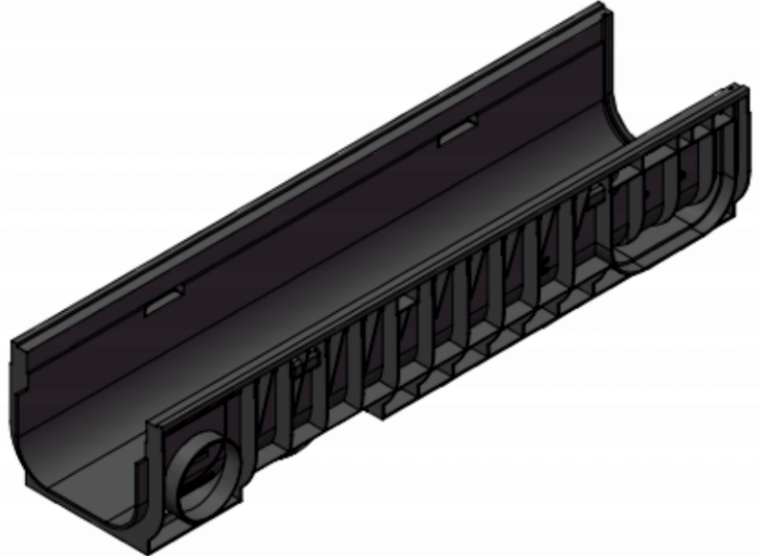
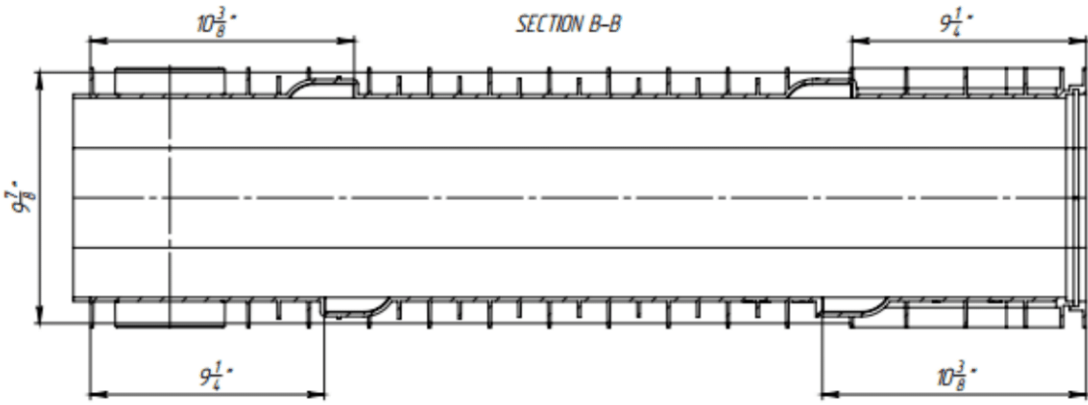
Plastic Channel 8"



SECTION A-A



SECTION B-B



Material properties:
 1. Water Absorption, 24 hrs 0.01-0.03 %
 2. Work Temperature -40 to 176°F
 3. Chemical resistance YES

Rev.	Sheet	Doc. No.	Sign.	Date
				04.08.18

Plastic Channel 8"			Art. 8540	
NP-PC 8540		Let.	Weight (lb)	Scale
			7.24	1:5
Plastic		Sheet	Sheets 1	
VODALAND				