

Primary Usage

Reference No.

Sign. and date

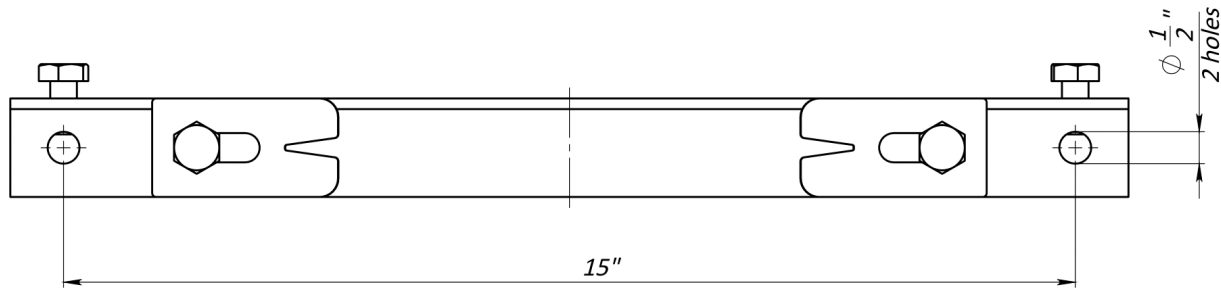
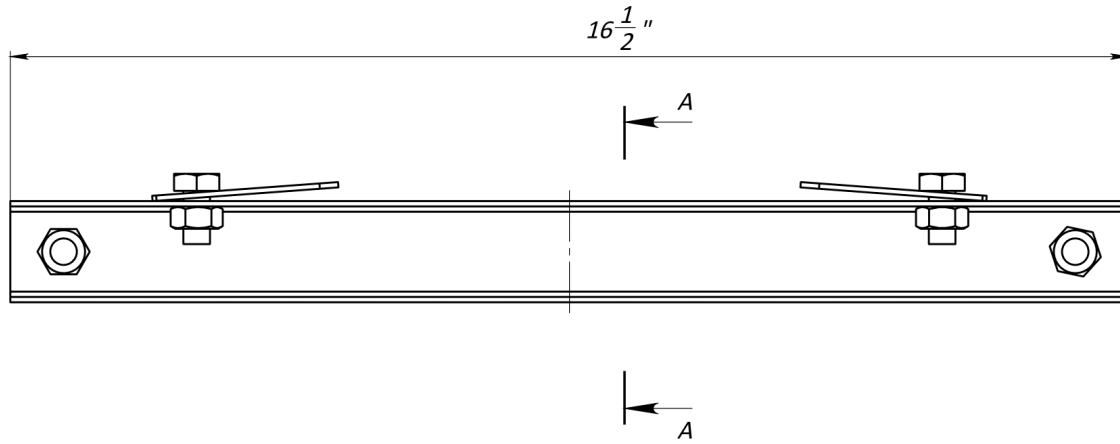
Copy inv. No.

Repl. Inv. No.

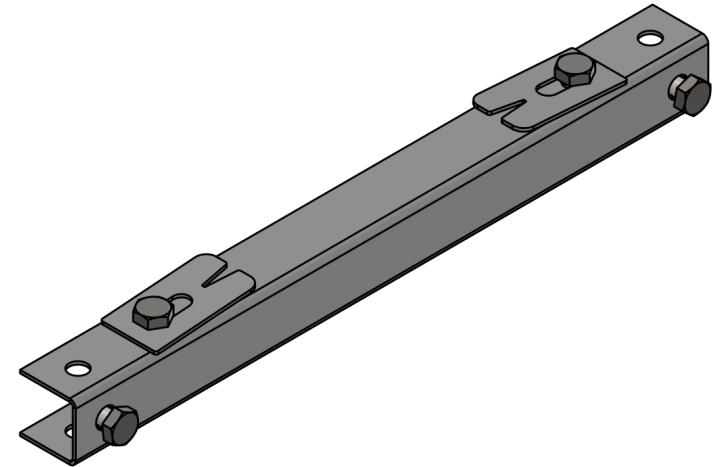
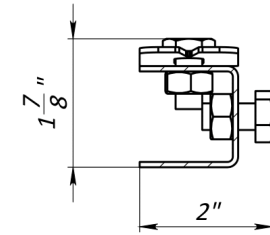
Sign. and date

Orig. Inv. No.

Mounting Bracket For Plastic Channels 8"



SECTION A-A



										Art.	61541
Mounting Bracket For Plastic Channels 8"											
Rev.	Sheet	Doc. No.	Sign.	Data	NP-MBPC61541			Let.	Weight (lb)	Scale	
				10.07.18					0.53	1:2	
								Sheet	Sheets 1		
Galvanized Steel											