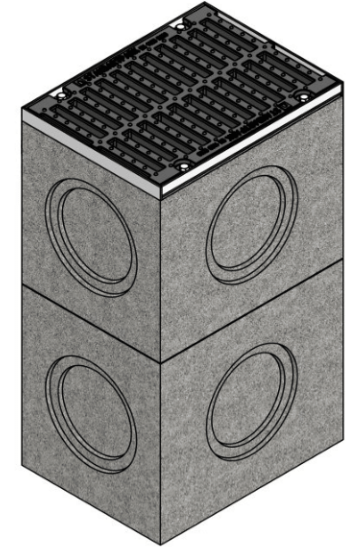
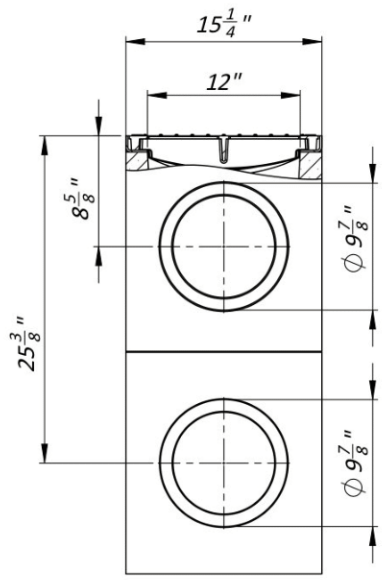
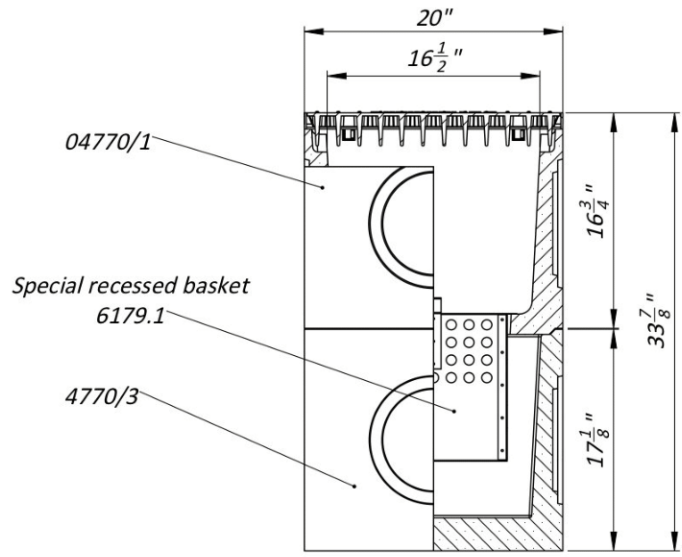


Primary Usage	12" Concrete Catch Basin (2 sections)
Reference No.	



1. Area of water intake slots 108 sq in
2. Deviation of the actual weight of the nominal can be up to 8%

Orig. Inv. No.	Sign. and date	Repl. Inv. No.	Copy inv. No.	Sign. and date

				Art.	04770
12" Concrete Catch Basin (2 sections)					
Rev.	Sheet	Doc. No.	Sign.	Data	
				11.09.18	
04770				Let.	Weight (lb)
Load Class E					431.2
Concrete, Steel, Ductile Cast Iron				Scale	1:10
				Sheet	Sheets 1