

Primary Usage

Reference No.

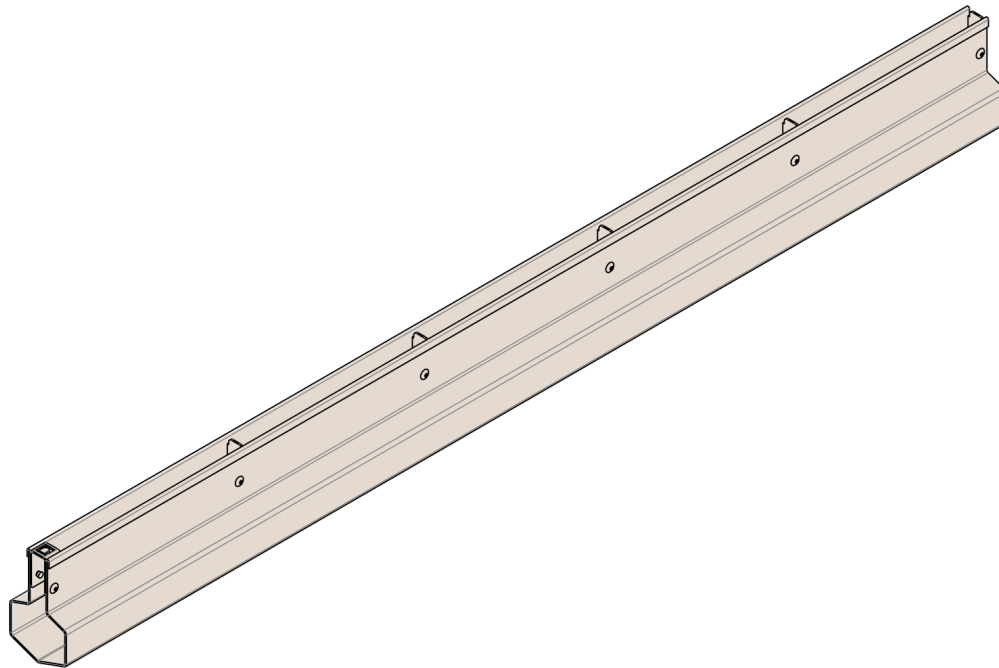
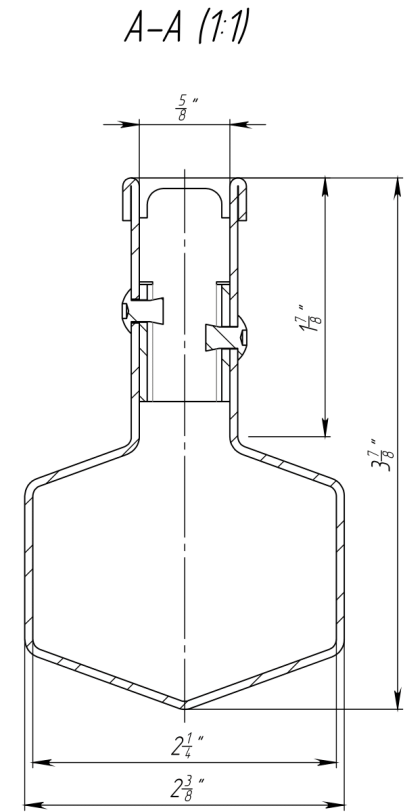
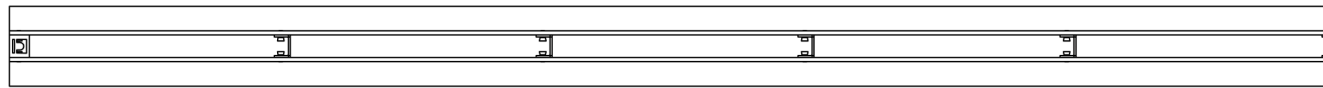
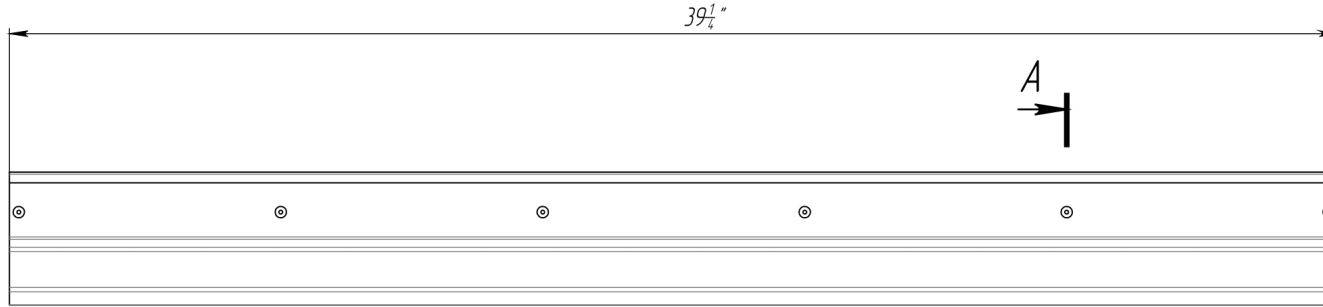
Sign. and date

Copy inv. No.

Repl. Inv. No.

Sign. and date

Orig. Inv. No.



						Art.	SSSDC40-6.100.10		
						Stainless steel slot channel Double 100-1000			
							Let.	Weight (lb)	Scale
								7.56	1:4
							Sheet	Sheets 1	
						SSSDC40-6.100.10			
						Load class A15			
						Stainless Steel			