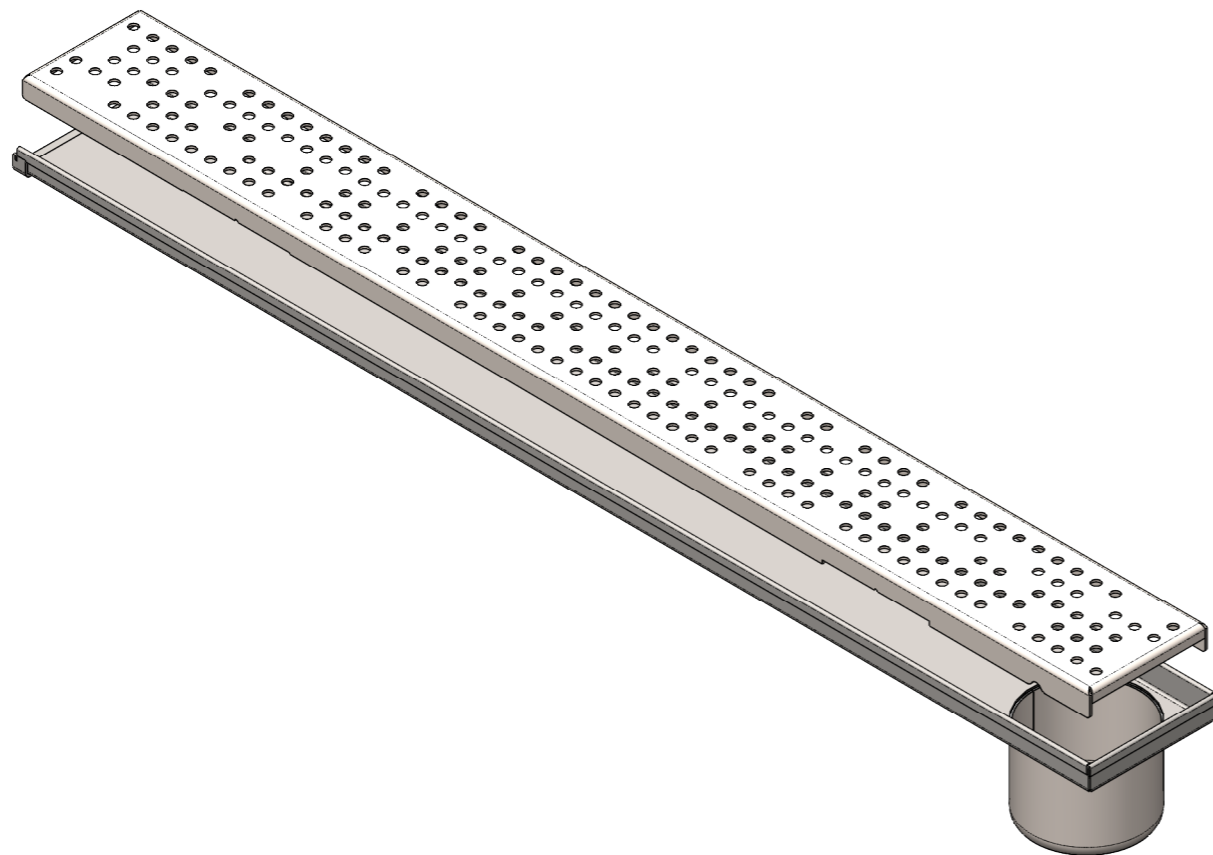
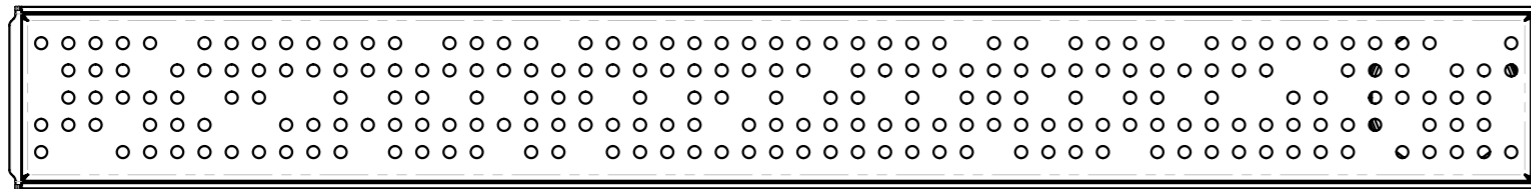
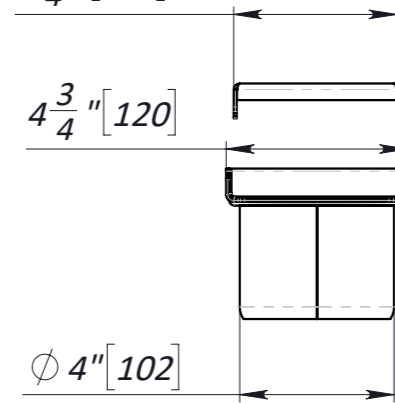
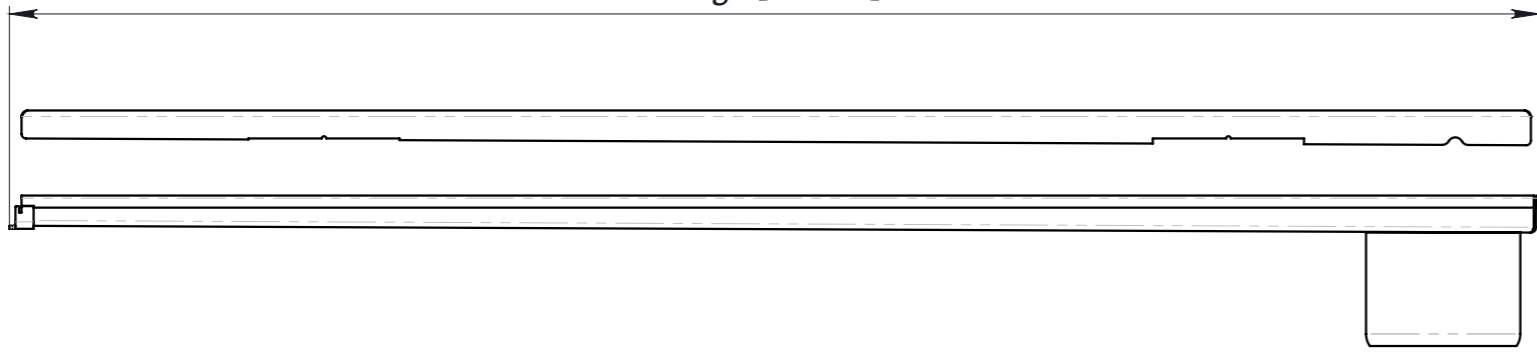


$39\frac{7}{8}$ " [1011,6]


$4\frac{1}{4}$ " [108]

$4\frac{3}{4}$ " [120]

$\phi 4$ " [102]



1. Dimensions for reference, inch [mm]
2. Delivery and packaging are carried out in accordance with the terms of the contract
3. The manufacturer reserves the right, without notice to the consumer, to make changes to the design of the products for improvement of their technological and operational parameters, which will not affect the quality and properties of the product.

UNLESS OTHERWISE SPECIFIED: DIMENSIONS ARE IN MILLIMETERS SURFACE FINISH: TOLERANCES: ISO 2768-m LINEAR: ANGULAR:			FINISH: Passivation		DEBURR AND BREAK SHARP EDGES		DO NOT SCALE DRAWING		REVISION		
							 <p>TITLE: Stainless Steel Balcony channel with end outlet 4" and perforated grate</p>				
DRAWN		NAME		SIGNATURE		DATE					
CHK'D		Markovych				30.05.23		994503			
APPV'D								MATERIAL:		SCALE:1:10	
MFG								Stainless Steel (AISI 304)		SHEET 1 OF 5	
Q.A								WEIGHT: 9.8 lb /4.45kg			