

Primary Usage

Reference No.

Sign. and date

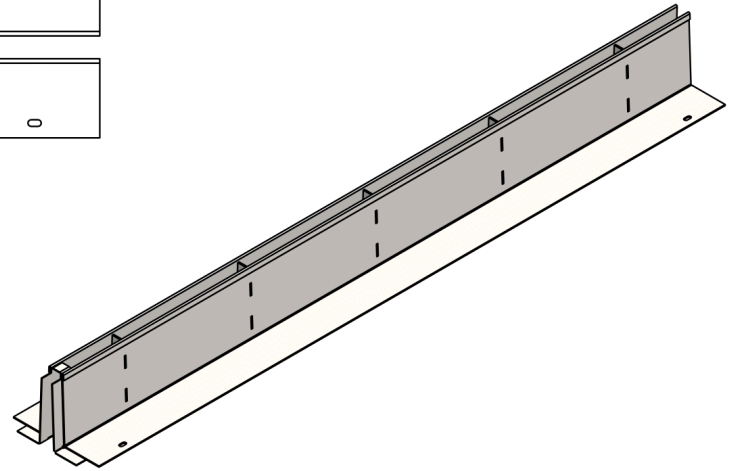
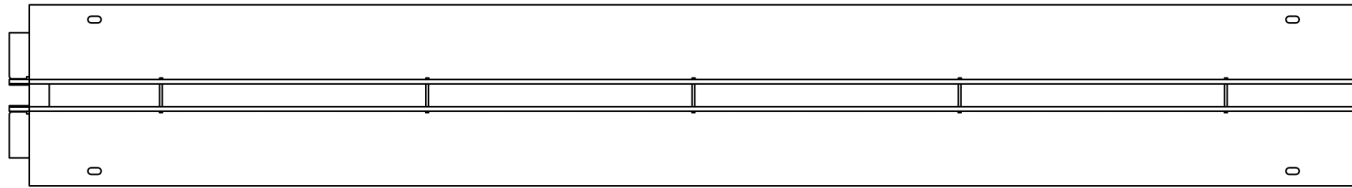
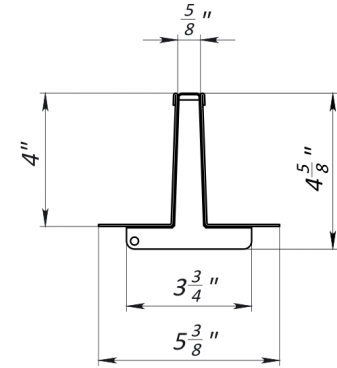
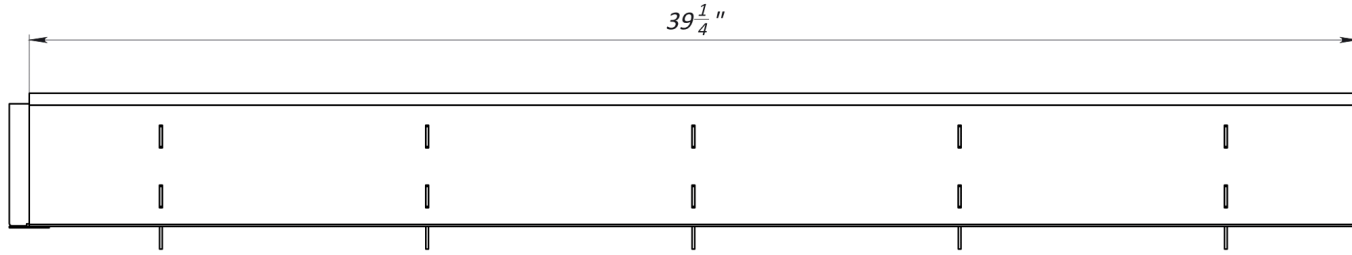
Copy inv. No.

Repl. Inv. No.

Sign. and date

Orig. Inv. No.

4" Stainless Steel Slot Drain



- 1. Area of water intake slots 26 sq in
- 2. Deviation of the actual weight of the nominal can be up to 10%

										Art. 2097-1T-100
										4" Stainless Steel Slot Drain
										Let. Weight (lb) Scale
										2097-1T-100
										4.23 1:4
										Sheet Sheets 1
										Stainless Steel
										VODALAND