

Primary Usage

Reference No.

Sign. and date

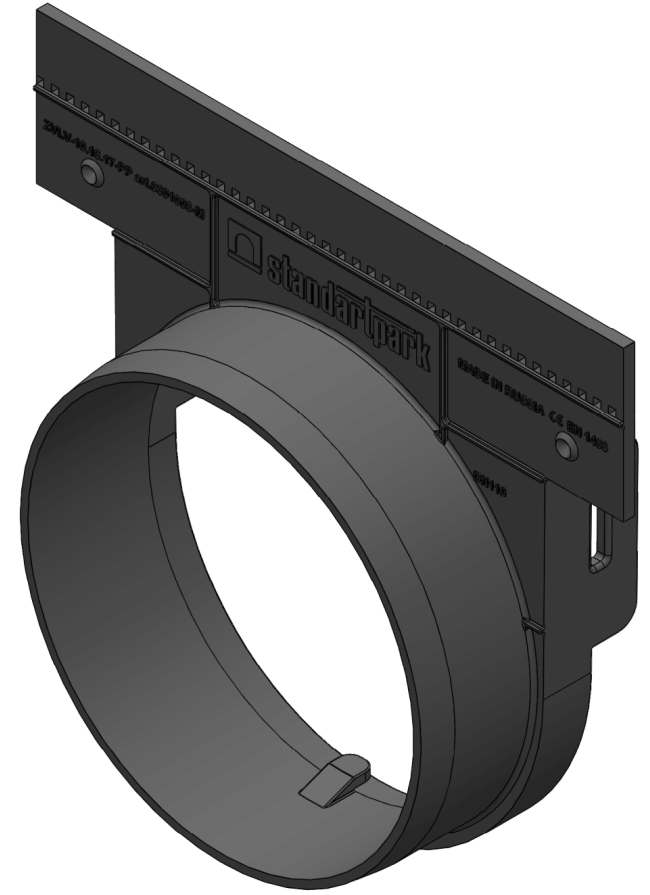
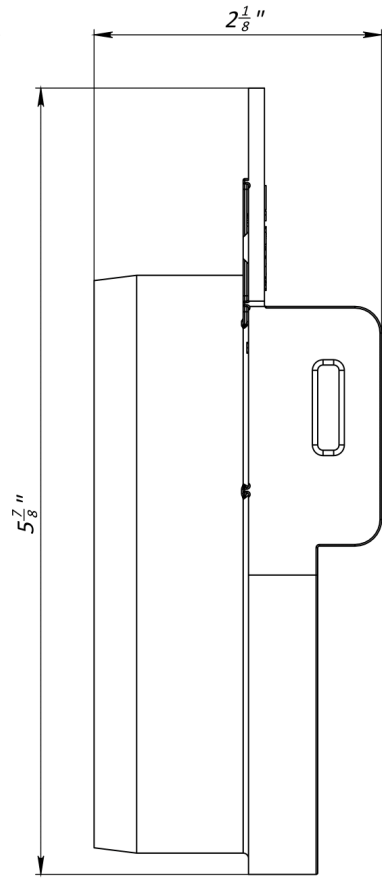
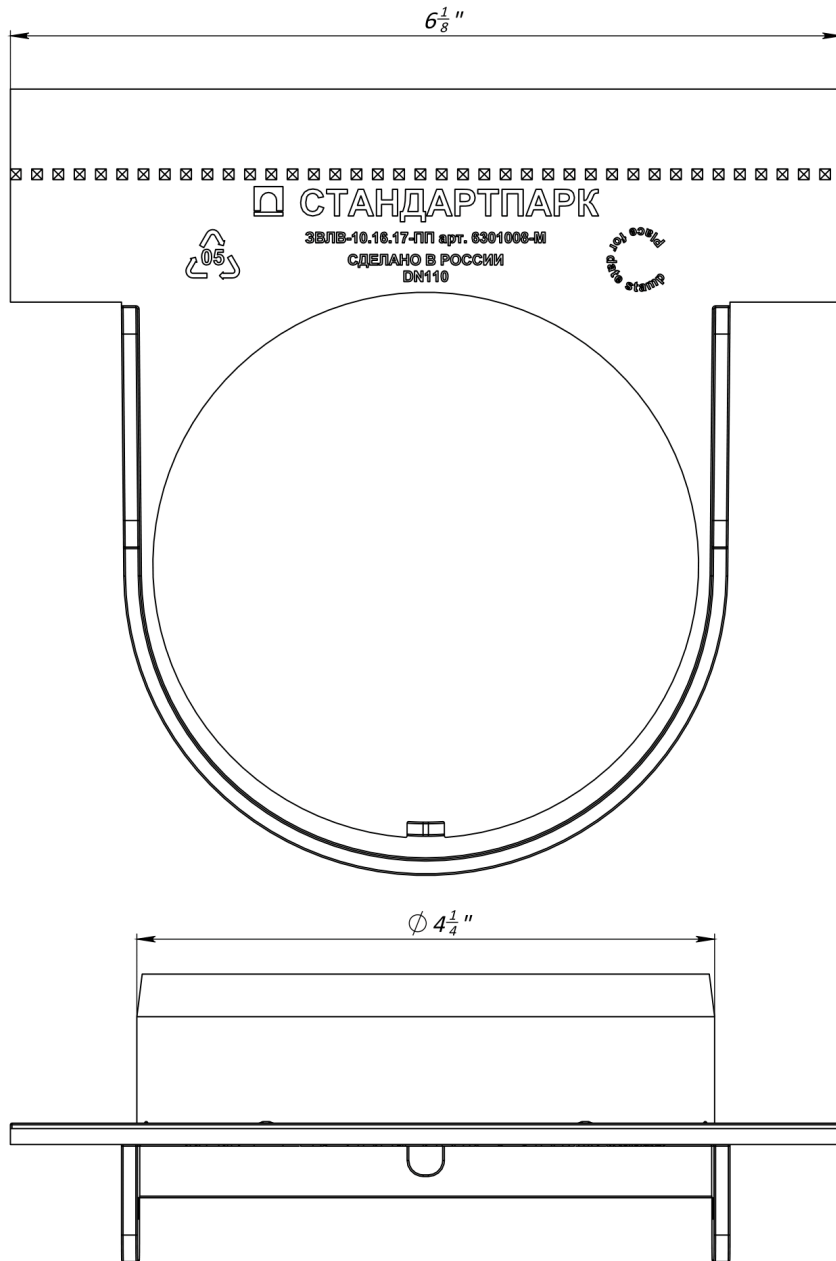
Copy inv. No.

Repl. Inv. No.

Sign. and date

Orig. Inv. No.

4" End Cap with outlet



1. Deviation of the actual weight of the nominal can be up to 12%

				Art. 6301008-M				
				4" End Cap with outlet				
Rev.	Sheet	Doc. No.	Sign.	Data	<b>6301008-M</b>	Let.	Weight (lb)	Scale
				18.09.19			0.13	1:2
					Sheet		Sheets 1	
					Plastic			