

Primary Usage

Reference No.

Sign. and date

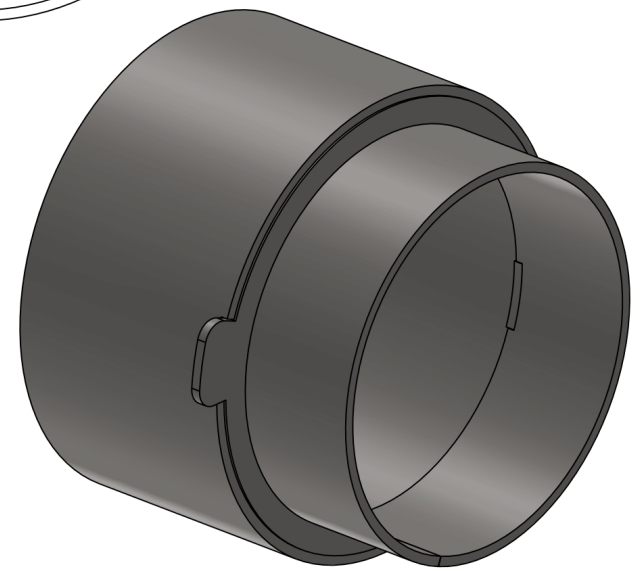
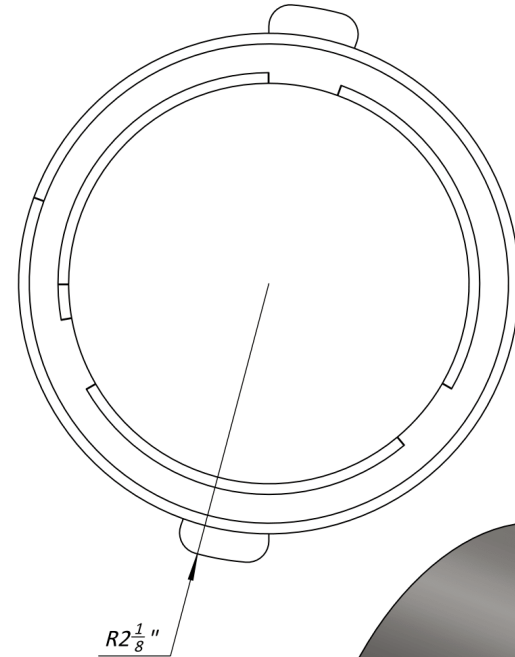
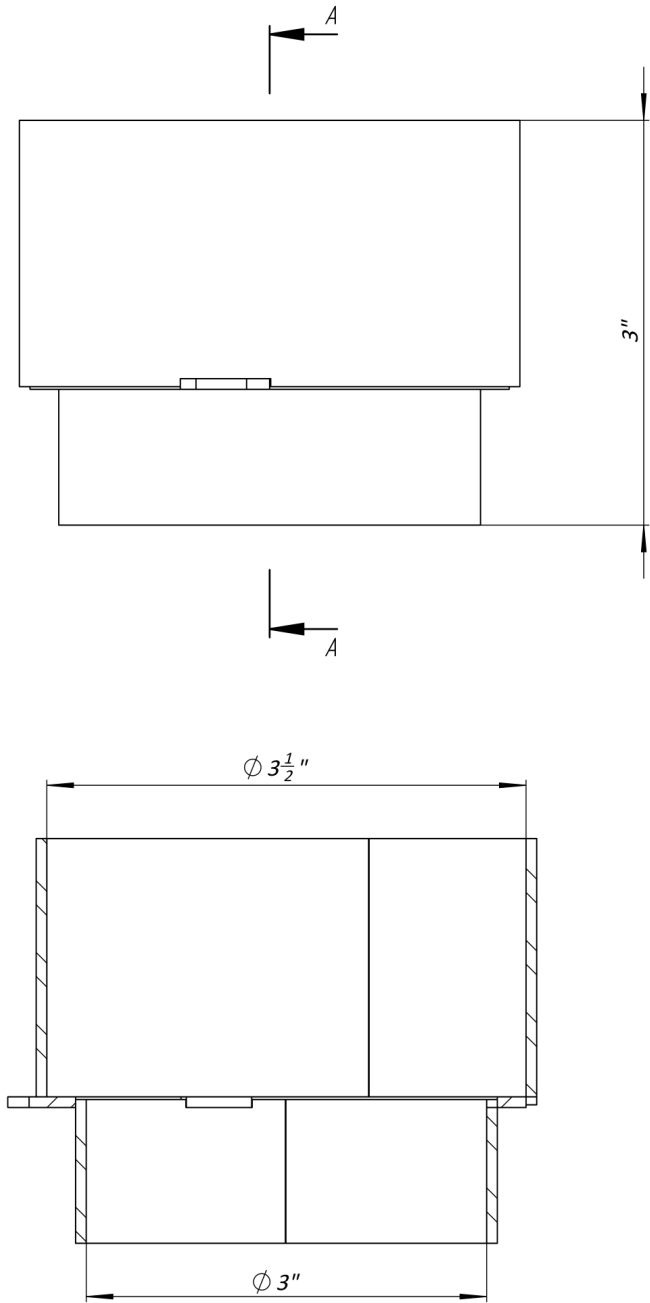
Copy inv. No.

Repl. Inv. No.

Sign. and date

Orig. Inv. No.

3" Pipe Adapter



				Art. 6915-3				
				3" Pipe Adapter				
Rev.	Sheet	Doc. No.	Sign.	Data	6815-3	Let.	Weight (lb)	Scale
				31.01.20			0.79	1:3
					Sheet		Sheets 1	
					Plastic			