

Primary Usage

Reference No.

Sign. and date

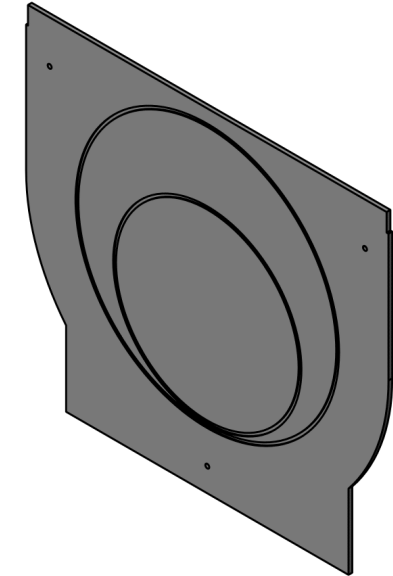
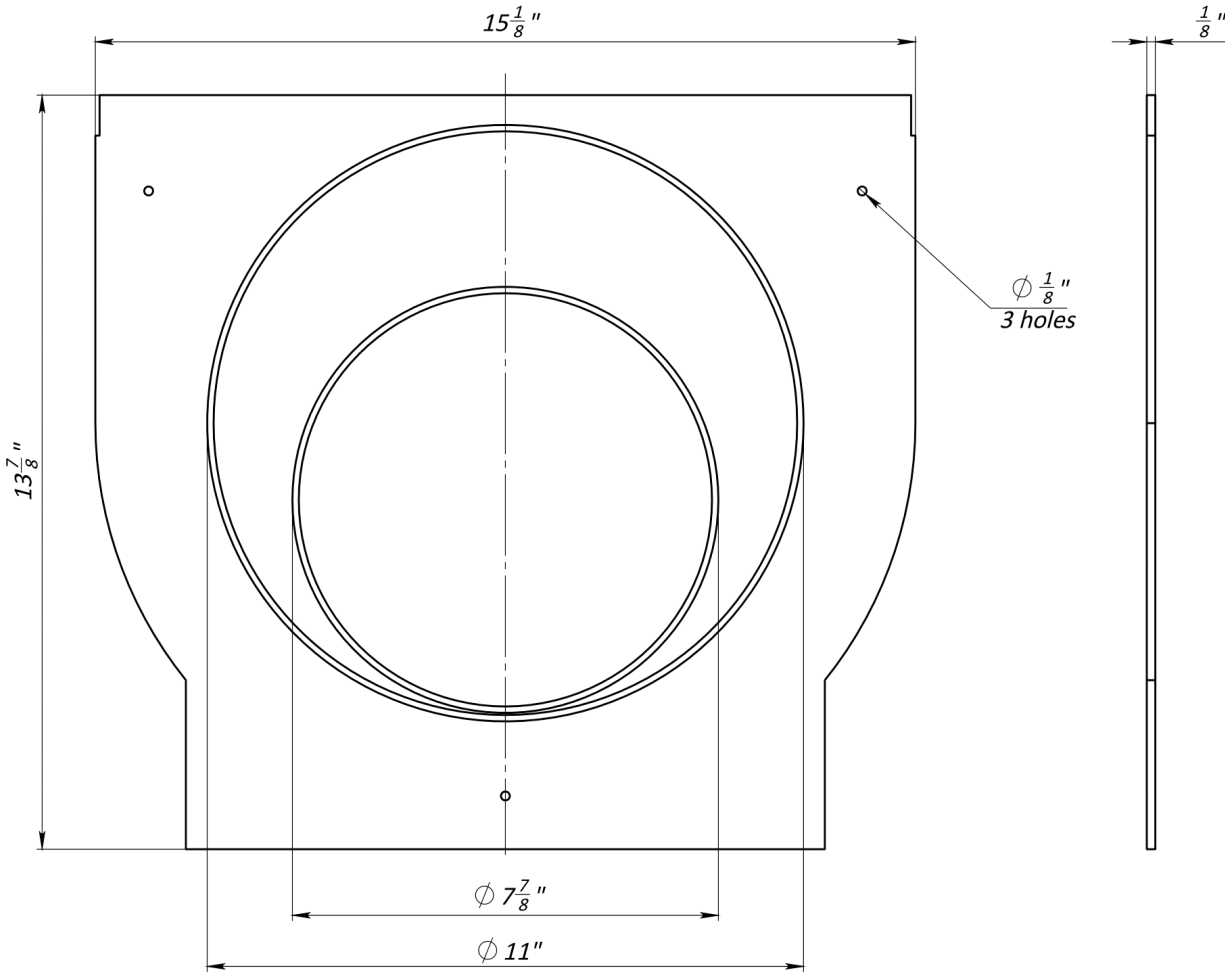
Copy inv. No.

Repl. Inv. No.

Sign. and date

Orig. Inv. No.

End Cap 12"



										Art. 6371	
										End Cap 12"	
									Let.	Weight (lb)	Scale
										0.98	1:2.5
									Sheet	Sheets 1	
									Plastic		