

Primary Usage

Reference No.

Sign. and date

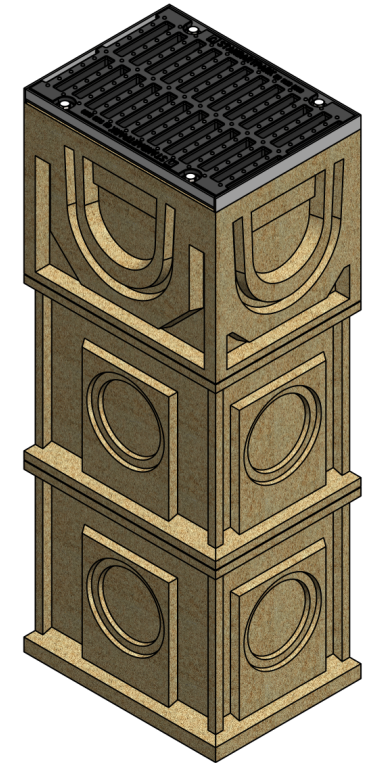
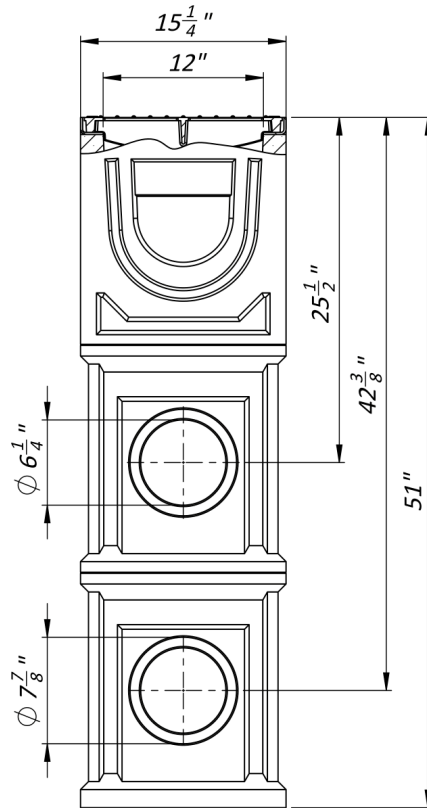
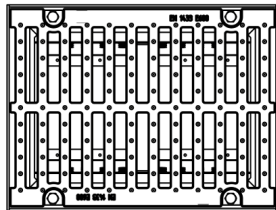
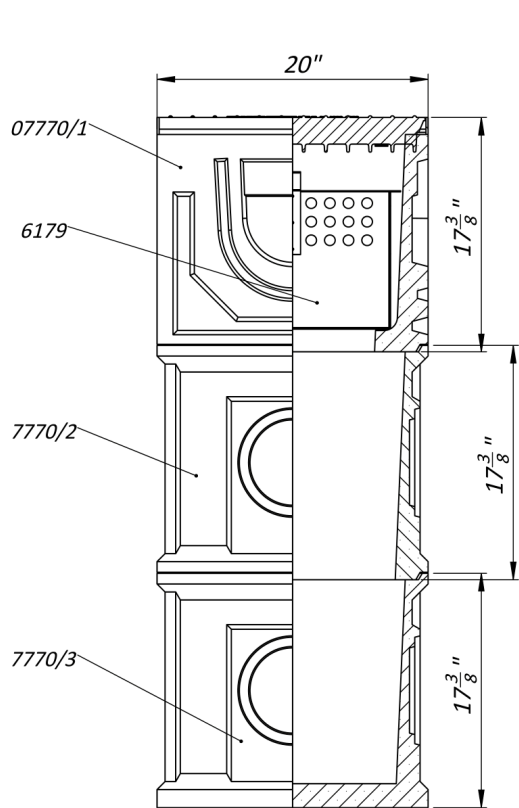
Copy inv. No.

Repl. Inv. No.

Sign. and date

Orig. Inv. No.

12" Polymer Concrete Catch Basin



- 1. Area of water intake slots 108 sq in
- 2. Deviation of the actual weight of the nominal can be up to 10%

				Art. 07770				
				12" Polymer Concrete Catch Basin				
Rev.	Sheet	Doc. No.	Sign.	Data	07770	Let.	Weight (lb)	Scale
				11.09.18			180.4	1:10
					Load Class E	Sheet	Sheets 1	
					Polymer Concrete, Steel, Ductile Cast Iron			