

Primary Usage

Reference No.

Sign. and date

Copy inv. No.

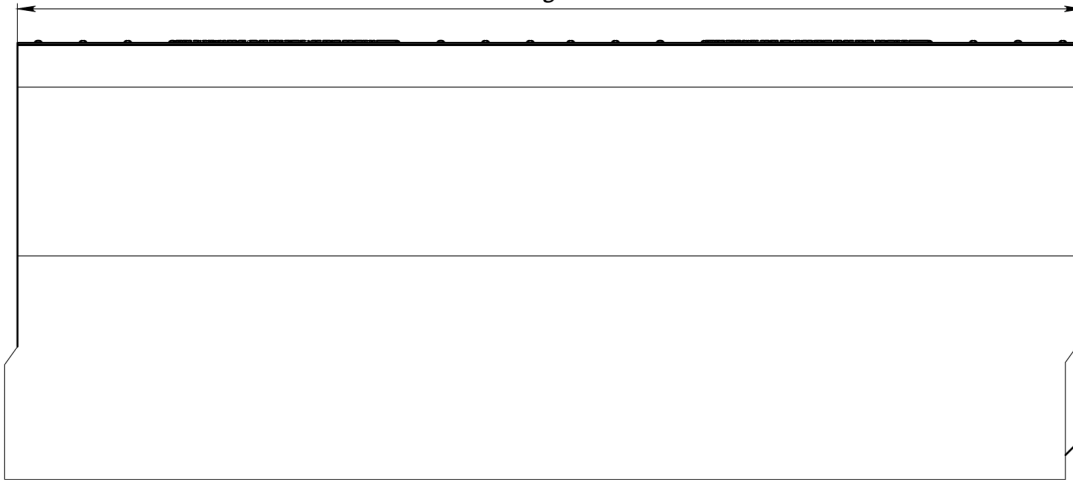
Repl. Inv. No.

Sign. and date

Orig. Inv. No.

12" Concrete Channel Set

39 <sup>3</sup>/<sub>8</sub> "

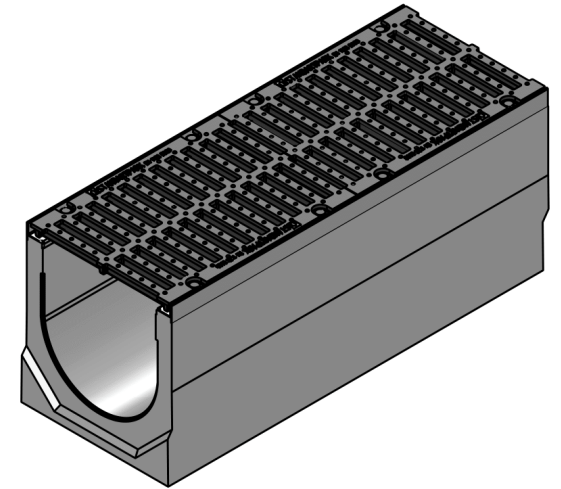
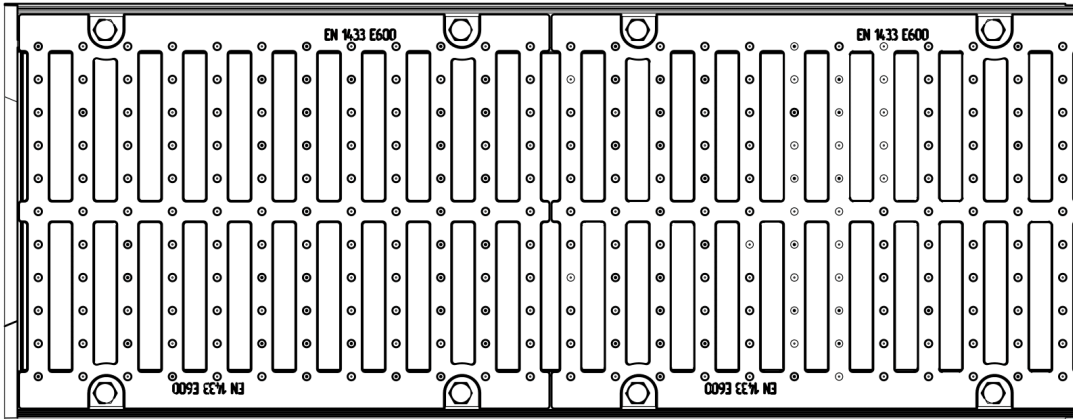
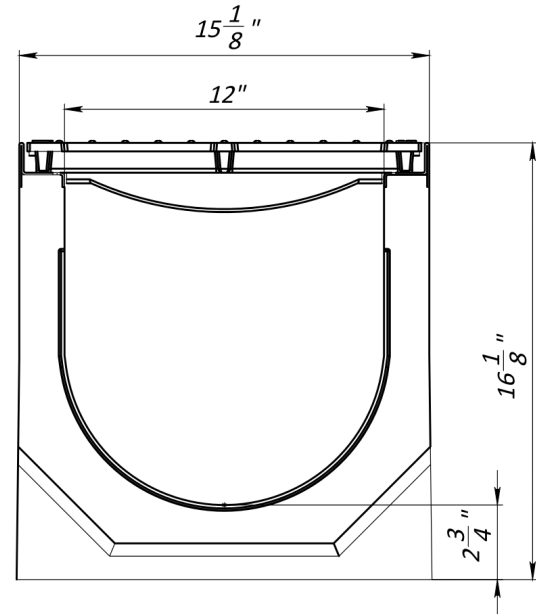


15 <sup>1</sup>/<sub>8</sub> "

12"

16 <sup>1</sup>/<sub>8</sub> "

2 <sup>3</sup>/<sub>4</sub> "



										Art.	04700	
										12" Concrete Channel Set		
										Let.	Weight (lb)	Scale
											440	1:5
										Sheet	Sheets 1	
										Concrete		

NP-CCM04700

Concrete

