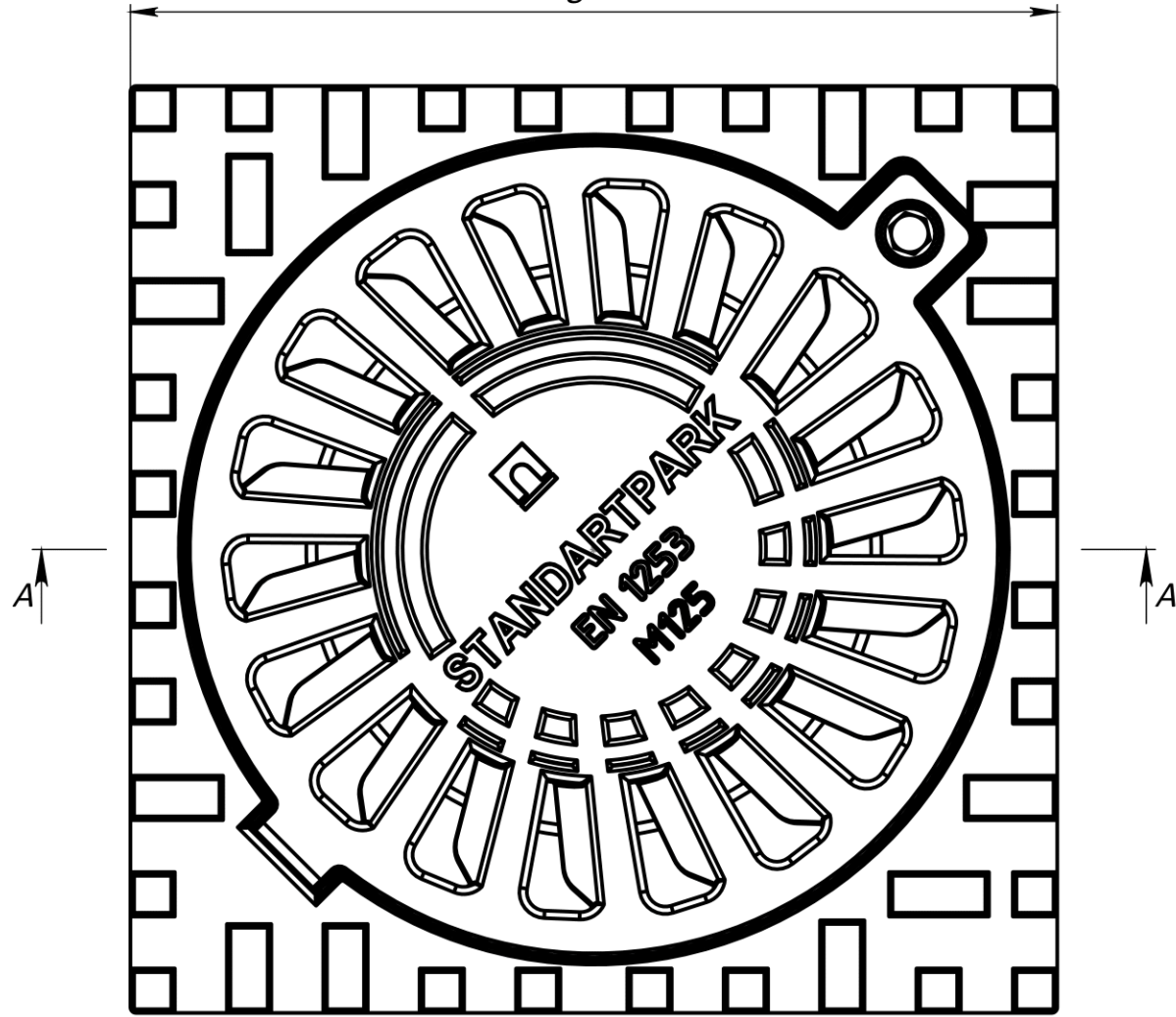
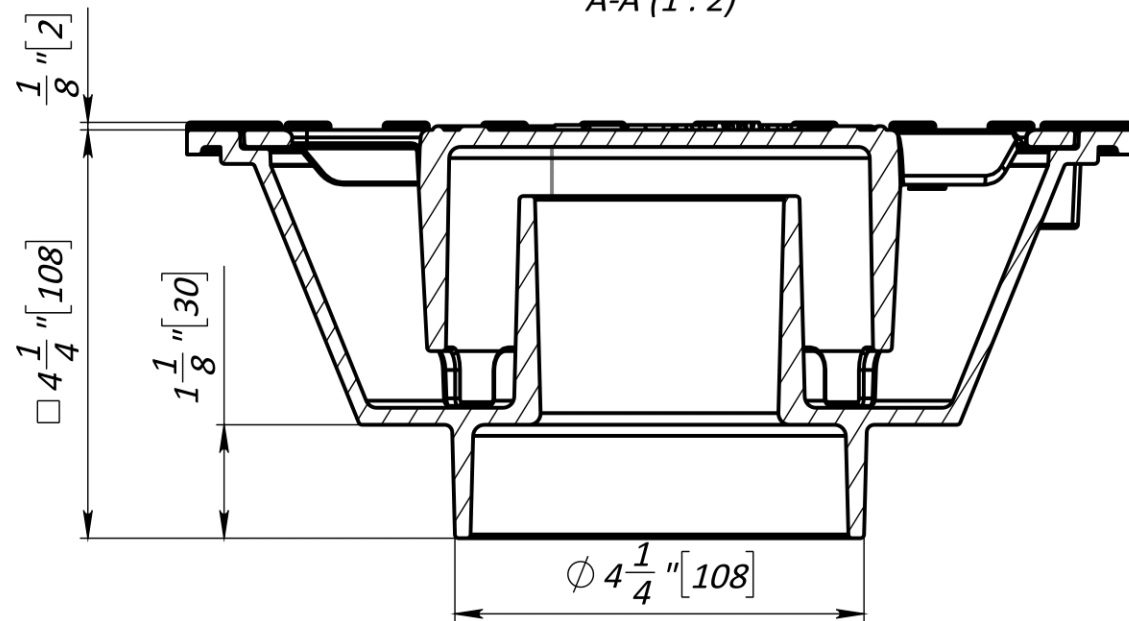



□ 9 ⁷/₈ " [250]



A-A (1 : 2)



1. Deviation of the actual weight of the nominal can be up to 8%
2. Dimensions for reference inch, [mm]
3. Area of water intake slots - 14.8 in², [95.49 cm²]

UNLESS OTHERWISE SPECIFIED: DIMENSIONS ARE IN MILLIMETERS		FINISH:		DEBURR AND BREAK SHARP EDGES		DO NOT SCALE DRAWING		REVISION	
SURFACE FINISH:									
TOLERANCES: ISO 2768-c								TITLE:	
LINEAR:						10"x10" Cast iron drain point 250x250			
ANGULAR:						square with lock			
						ARTICLE:		A3	
				MATERIAL:		33352513-5			
				Cast Iron					
				WEIGHT: 30.1 lb /13.65 kg		SCALE:1:5		SHEET 1 OF 1	