

Primary Usage

Reference No.

Sign. and date

Copy inv. No.

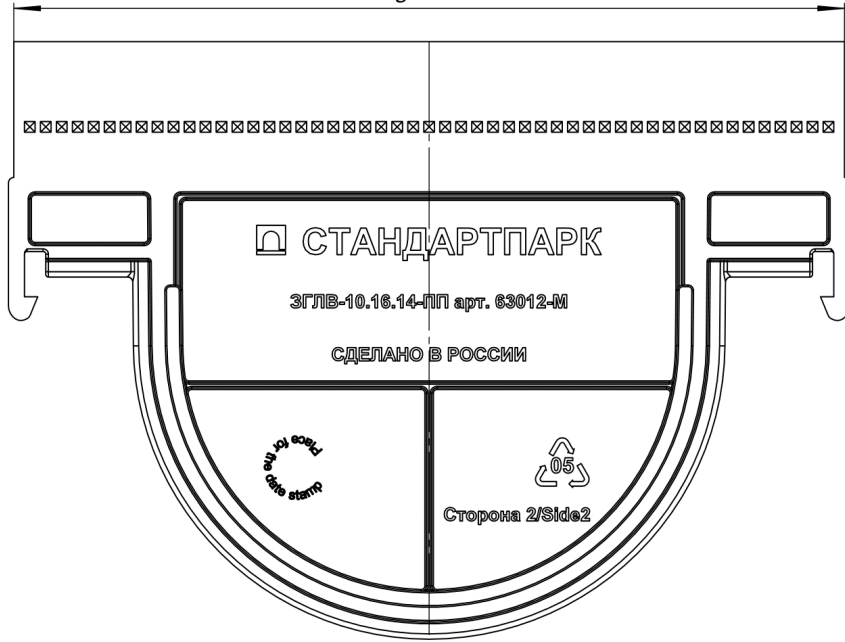
Repl. Inv. No.

Sign. and date

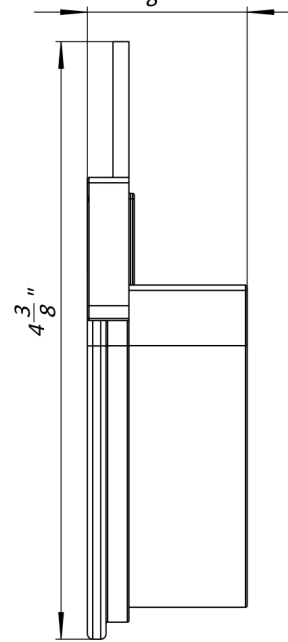
Orig. Inv. No.

4" End Cap

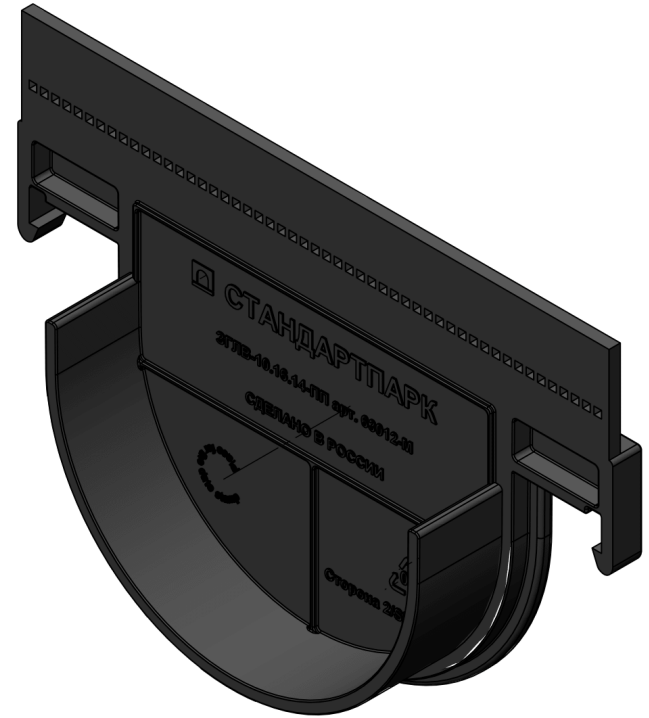
1 1/8"



1 1/8"



4 3/8"



1. Deviation of the actual weight of the nominal can be up to 12%

										Art. 63012-M		
										4" End Cap		
										Let.	Weight (lb)	Scale
											0.113	1:2
										Sheet	Sheets 1	
										Plastic	