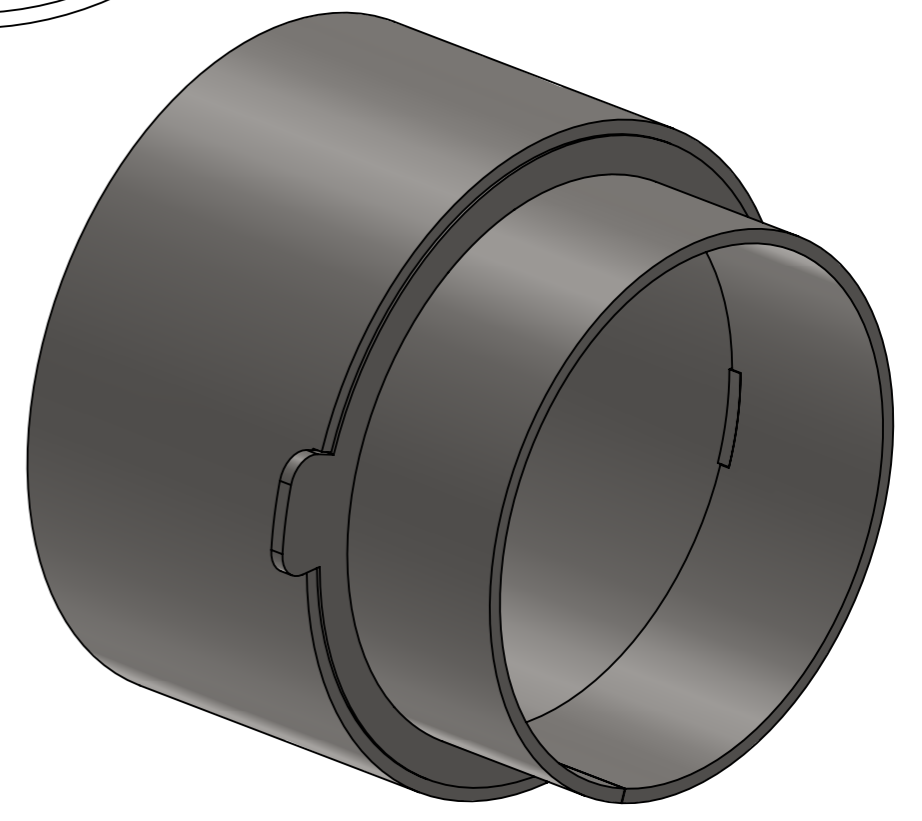
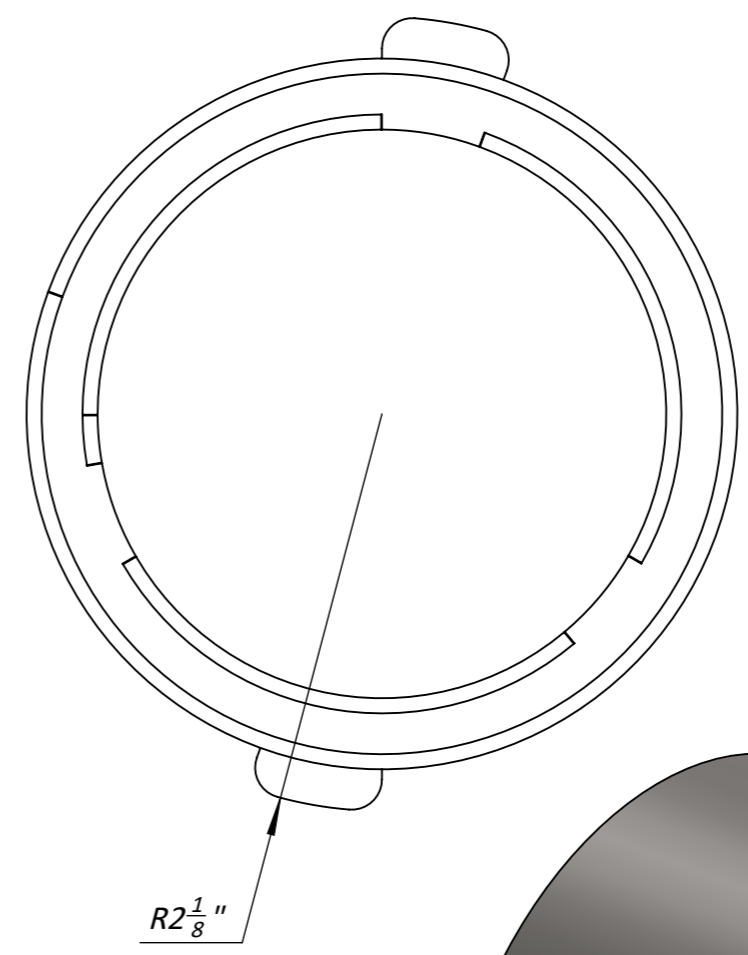
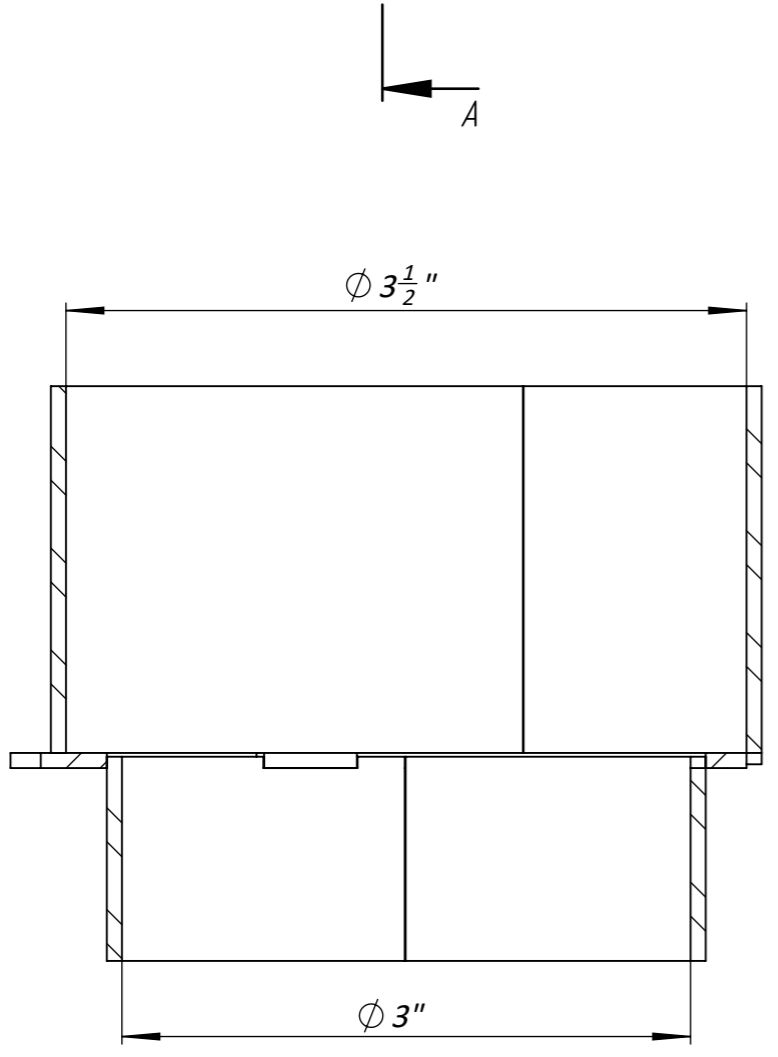
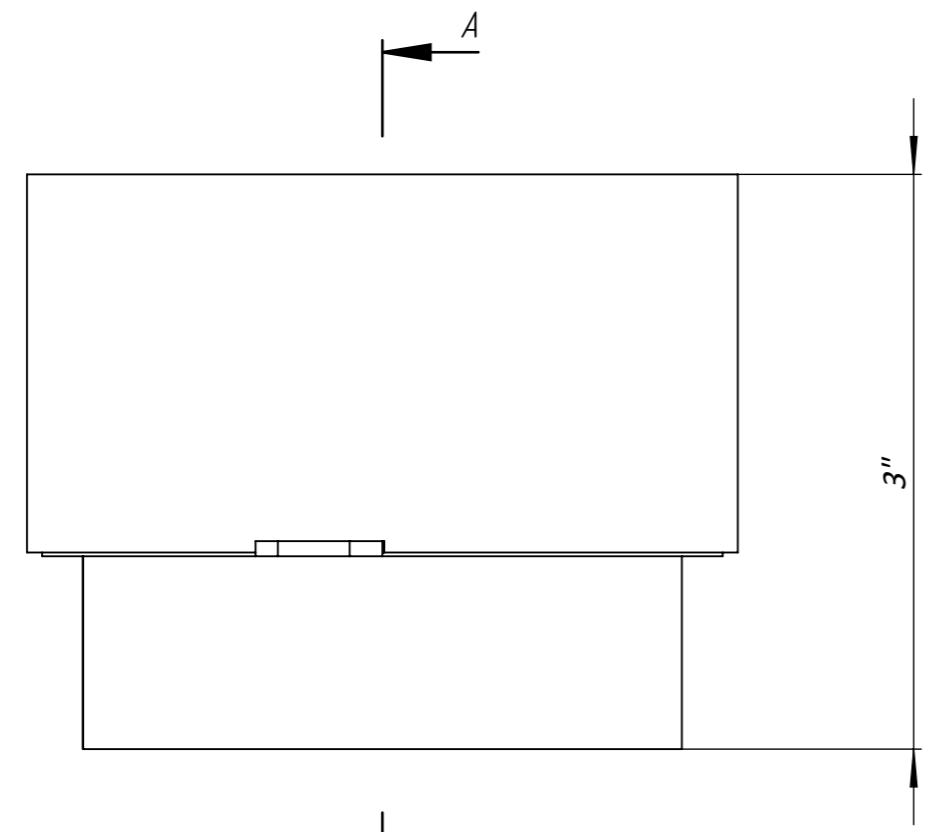


Primary Usage	Reference No.	Sign. and date	Copy inv. No.	Repl. Inv. No.	Sign. and date	Orig. Inv. No.
---------------	---------------	----------------	---------------	----------------	----------------	----------------

3" Pipe Adapter



					Art. 6915-3			
					3" Pipe Adapter			
Rev.	Sheet	Doc. No.	Sign.	Data	6915-3	Let.	Weight (lb)	Scale
				31.01.20			0.79	1:3
					Sheet		Sheets 1	
					Stainless steel		