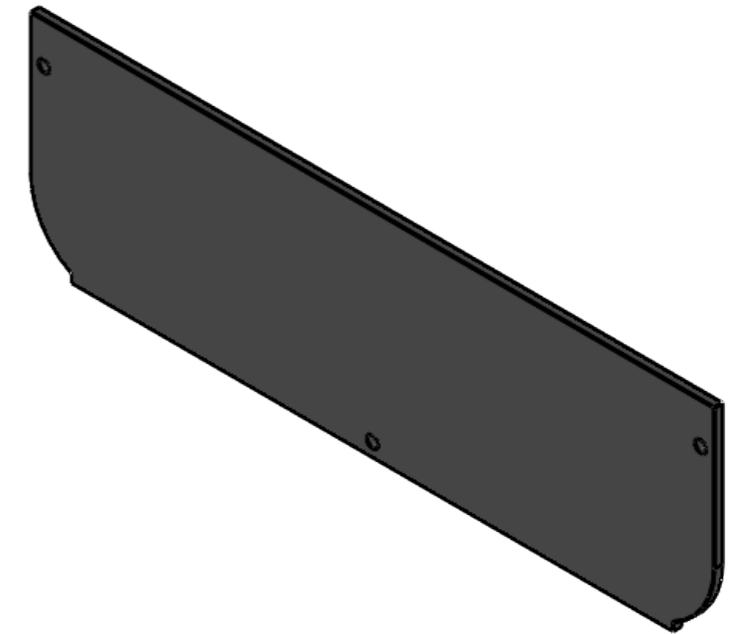
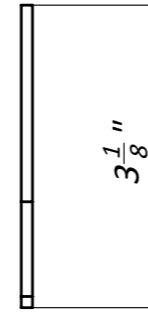
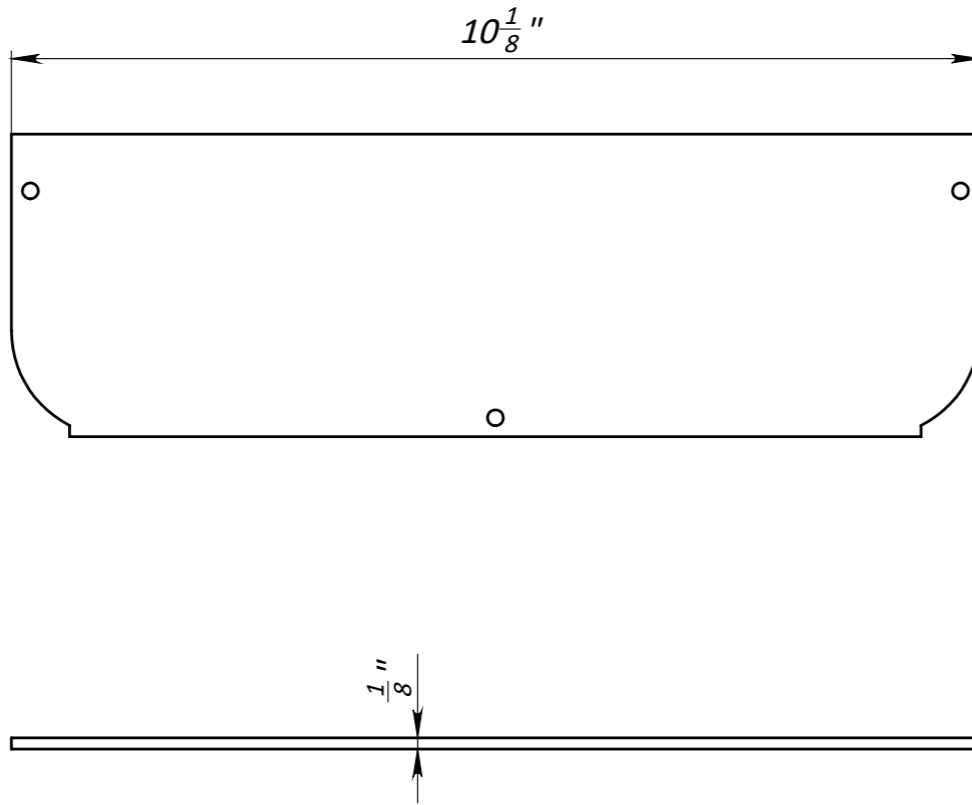


Orig. Inv. No.	Sign. and date	Repl. Inv. No.	Copy inv. No.	Sign. and date	Reference No.	Primary Usage
----------------	----------------	----------------	---------------	----------------	---------------	---------------

8" End Cap



1. Deviation of the actual weight of the nominal can be up to 12%

					Art. 6351-UA			
					8" End Cap			
					<b>6351-UA</b>	Let.	Weight (lb)	Scale
Rev.	Sheet	Doc. No.	Sign.	Date			0.12	1:2
				05.07.19		Sheet	Sheets 1	
					Plastic			