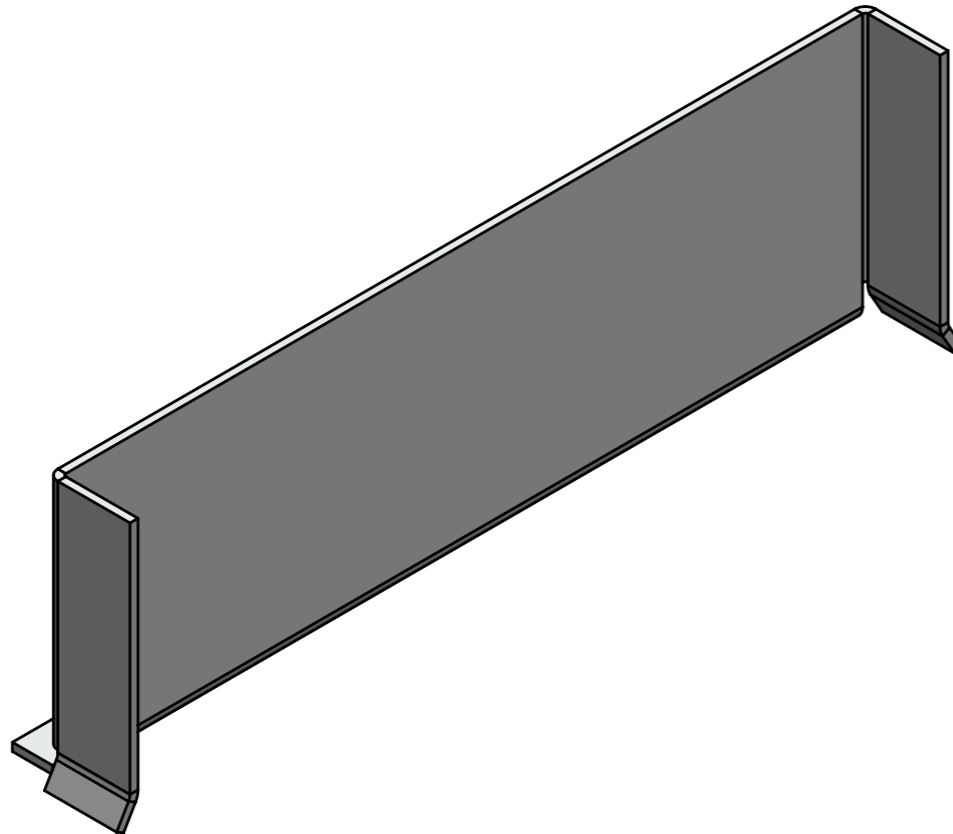
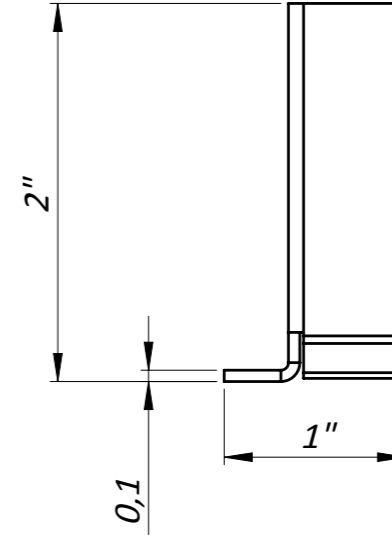
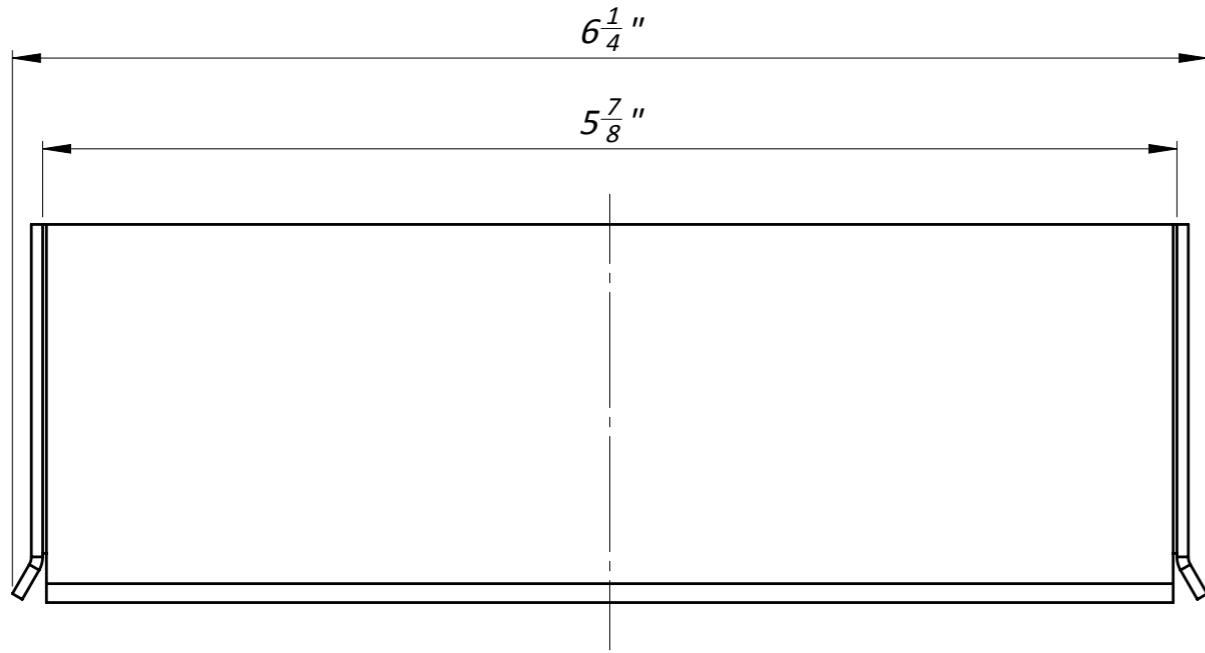


Primary Usage
Reference No.
Sign. and date
Copy inv. No.
Repl. Inv. No.
Sign. and date
Orig. Inv. No.

6" Steel End Cap



					Art. 6121-1			
					6" Steel End Cap			
Rev.	Sheet	Doc. No.	Sign.	Data	<b>6121-1</b>	Let.	Weight (lb)	Scale
				11.09.18			0.3	1:1
						Sheet	Sheets 1	
					Steel	