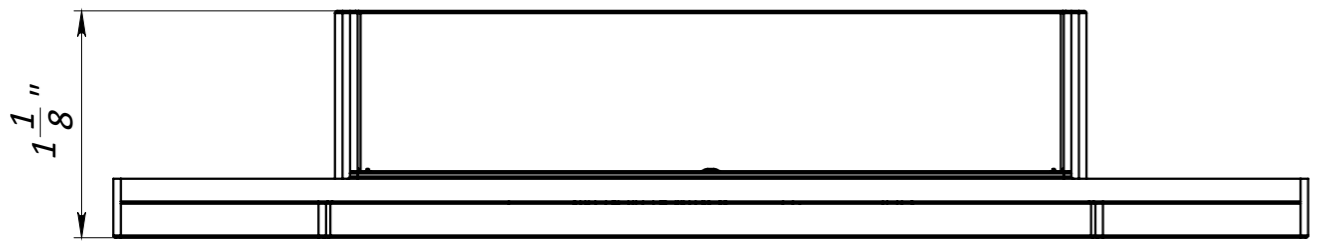
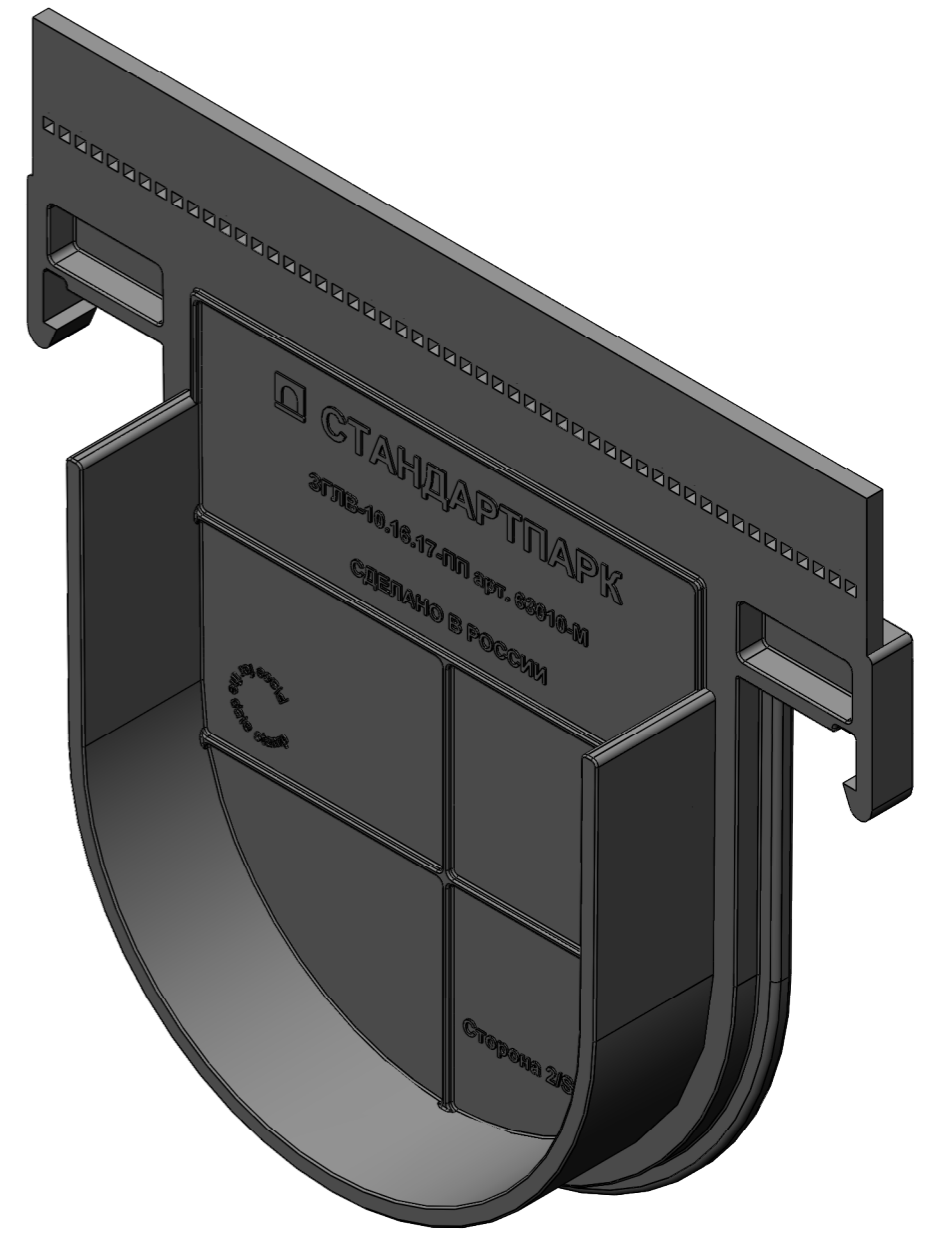
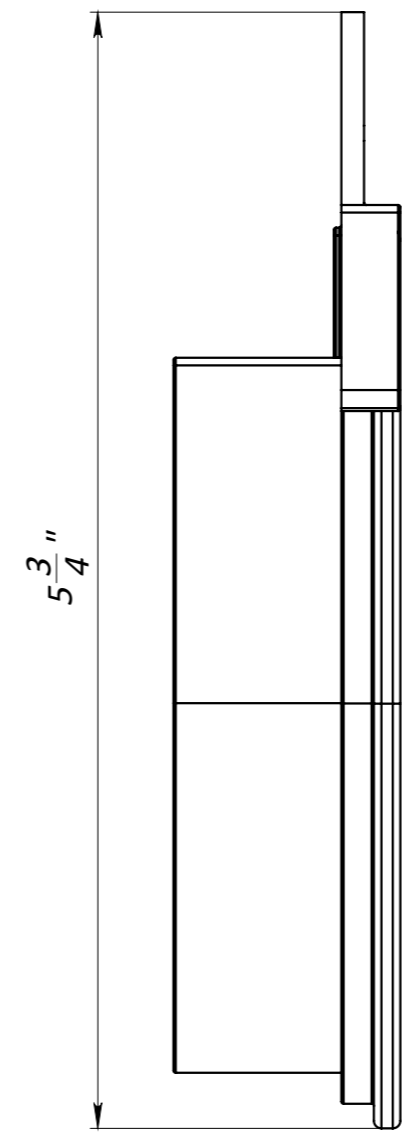
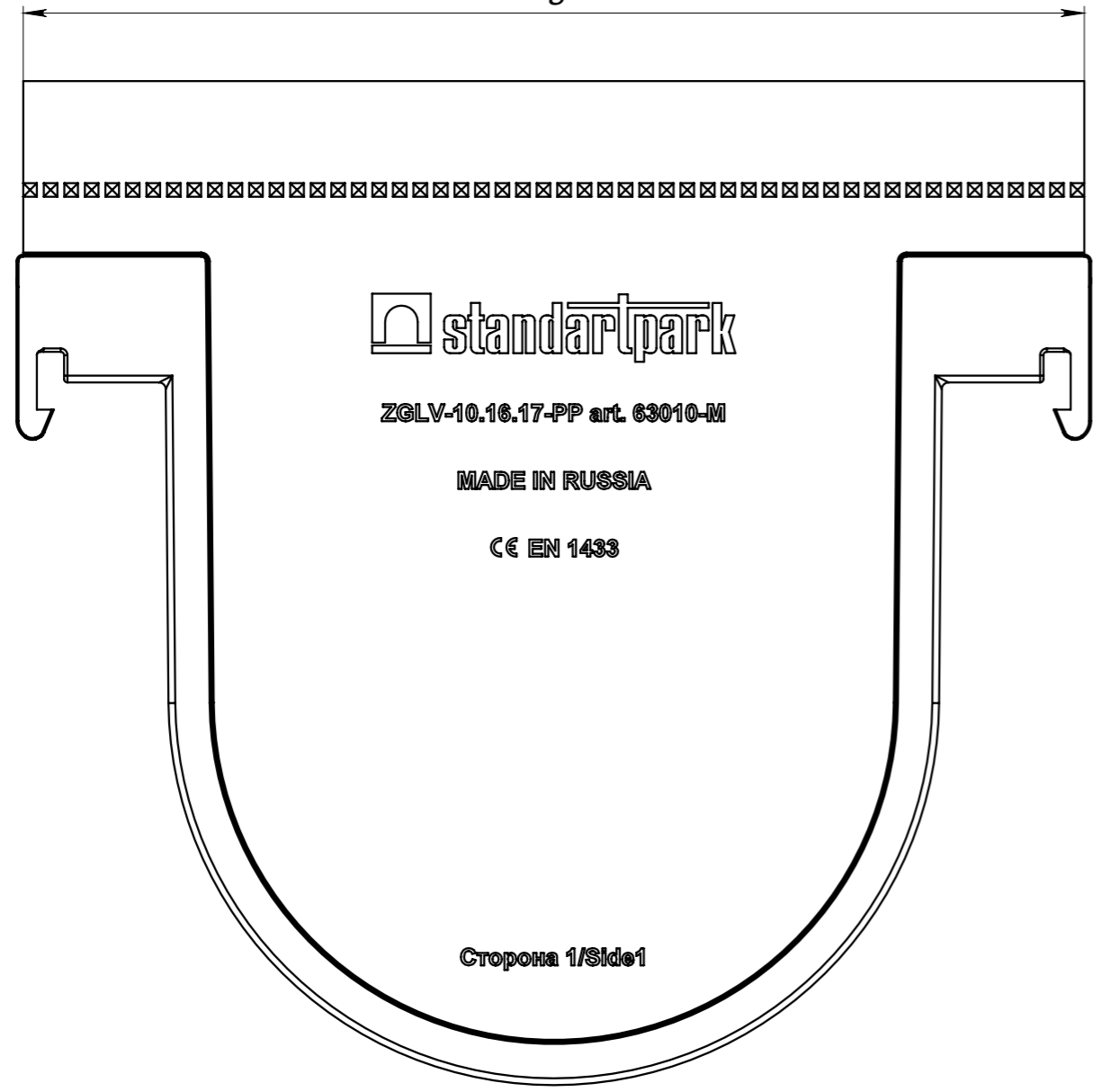


Primary Usage  
Reference No.  
Sign. and date  
Copy inv. No.  
Repl. Inv. No.  
Sign. and date  
Orig. Inv. No.

4" End Cap

$6 \frac{1}{8}$ "



1. Deviation of the actual weight of the nominal can be up to 12%

					Art. 63010-M			
					4" End Cap			
Rev.	Sheet	Doc. No.	Sign.	Data	<b>63010-M</b>	Let.	Weight (lb)	Scale
				27.06.19			0.14	1:2
					Sheet		Sheets 1	
					Plastic			