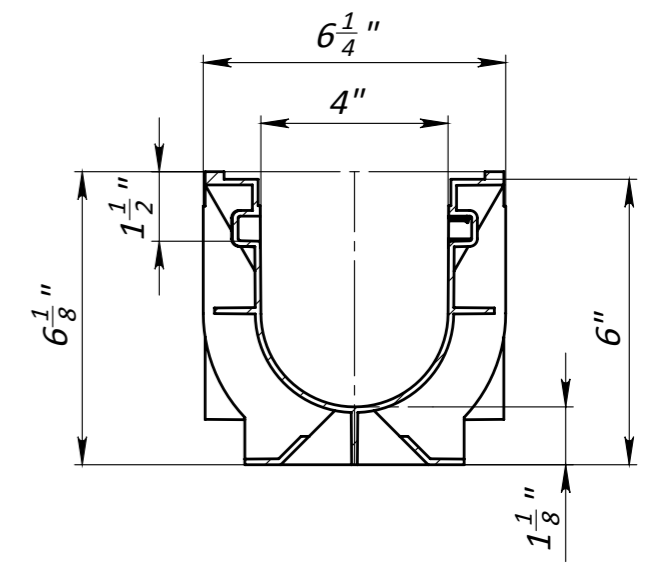
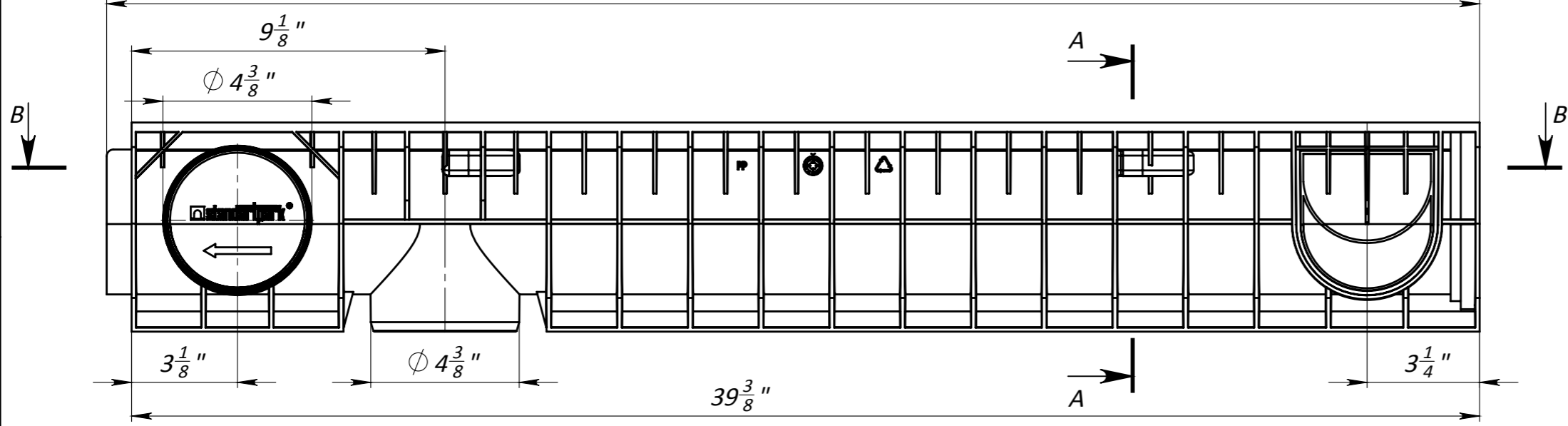


Primary Usage
Reference No.
Sign. and date
Copy inv. No.
Repl. Inv. No.
Sign. and date
Orig. Inv. No.

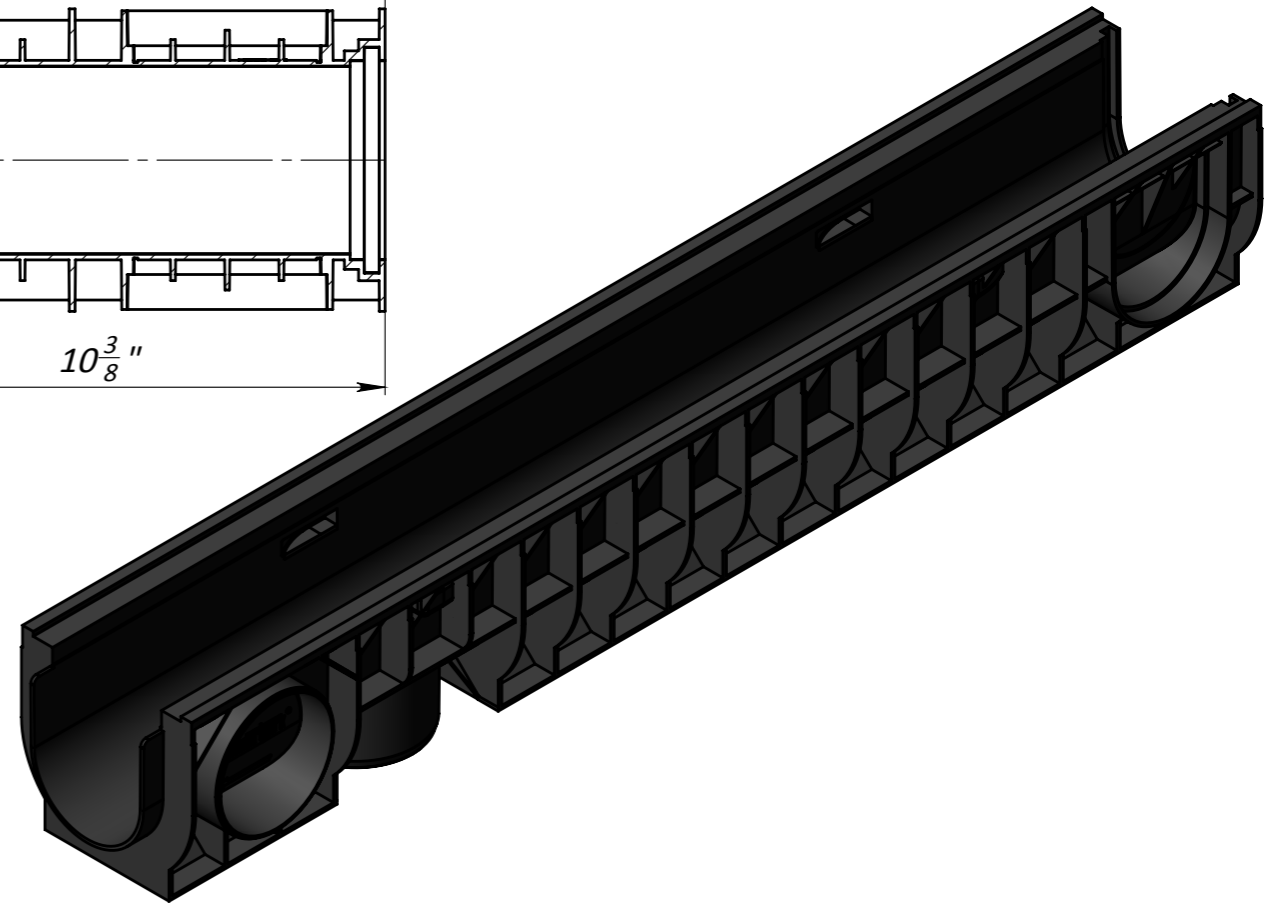
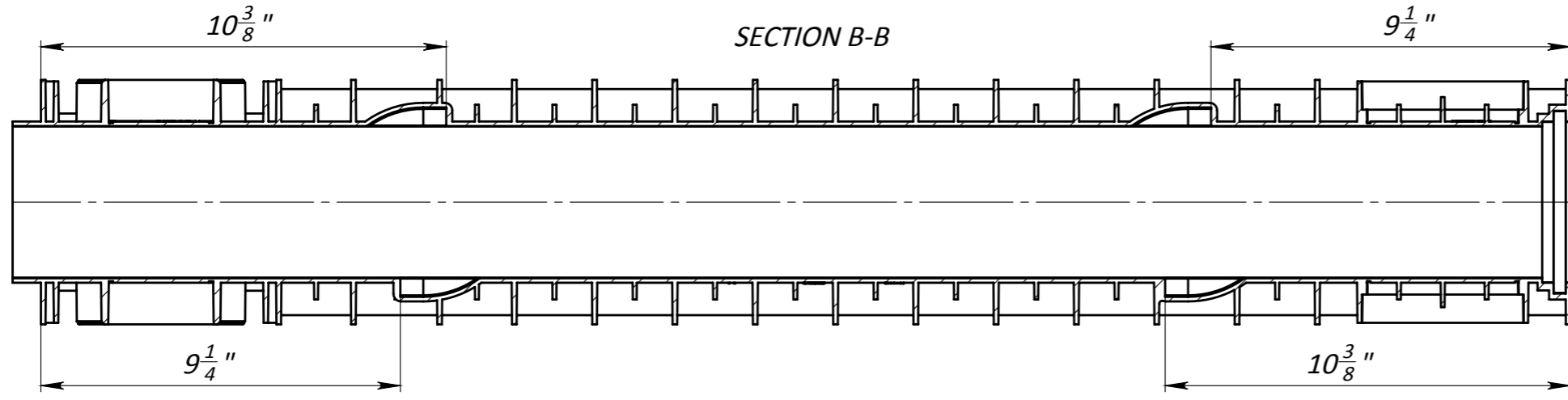
Plastic Channel 4"

40¹/₈"

SECTION A-A



SECTION B-B



				Art.	8000
				Plastic Channel 4"	
Rev.	Sheet	Doc. No.	Sign.	Data	NP-PC 8000
				04.08.16	
				Let.	Weight (lb)
					4.66
				Scale	1:4
				Sheet	Sheets 1
				Plastic	