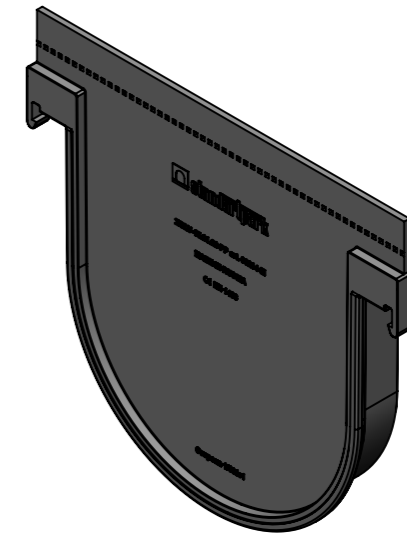
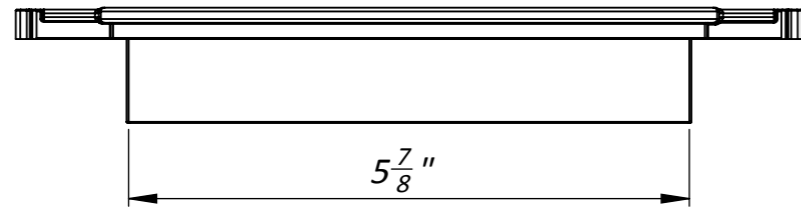
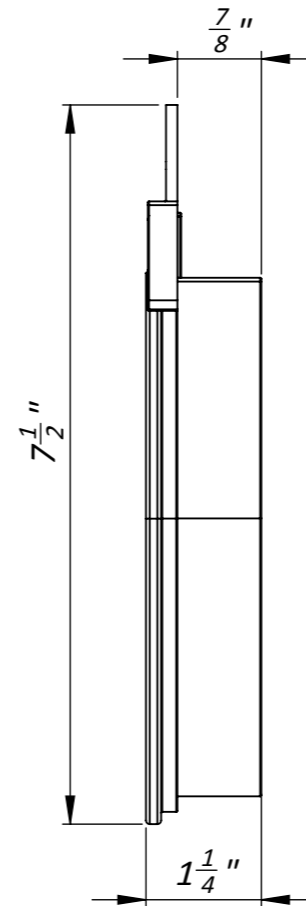
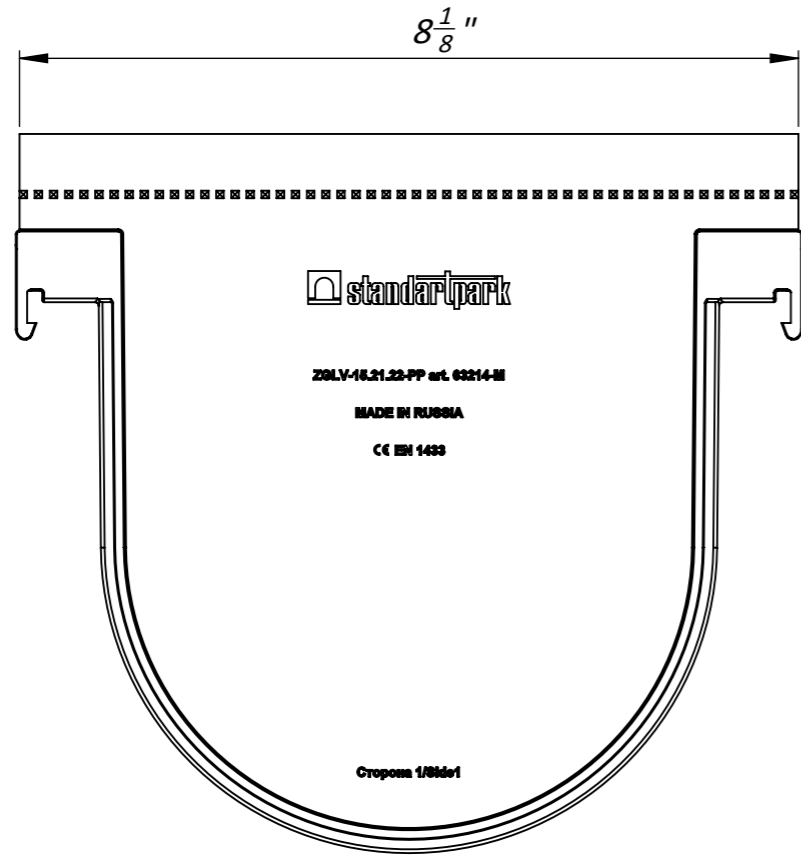


Primary Usage
Reference No.
Sign. and date
Copy inv. No.
Repl. Inv. No.
Sign. and date
Orig. Inv. No.

6" End Cap



Deviation of the actual weight of the nominal can be up to 10%

					Art. 63214-M			
					6" End Cap			
						Let.	Weight (lb)	Scale
					<b>63214-M</b>		0.2	1:2
						Sheet	Sheets 1	
					Plastic	