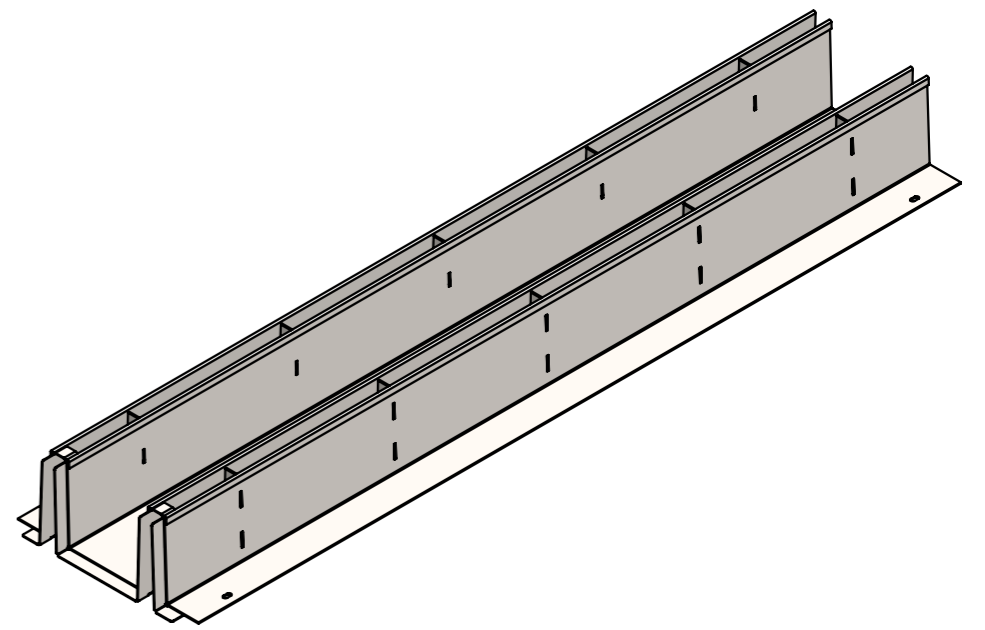
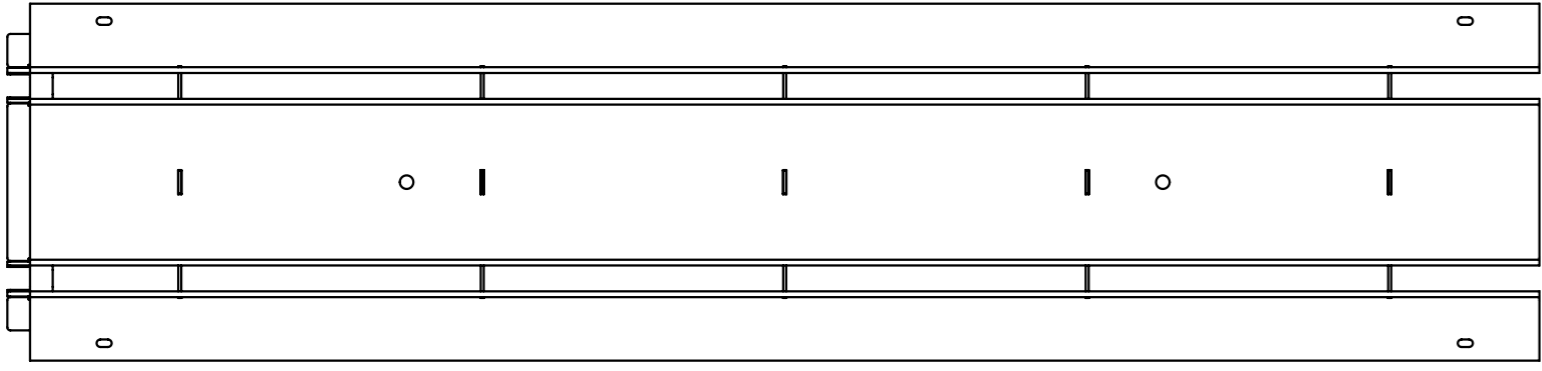
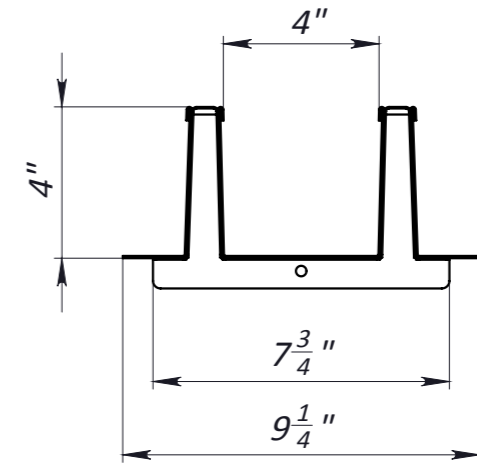
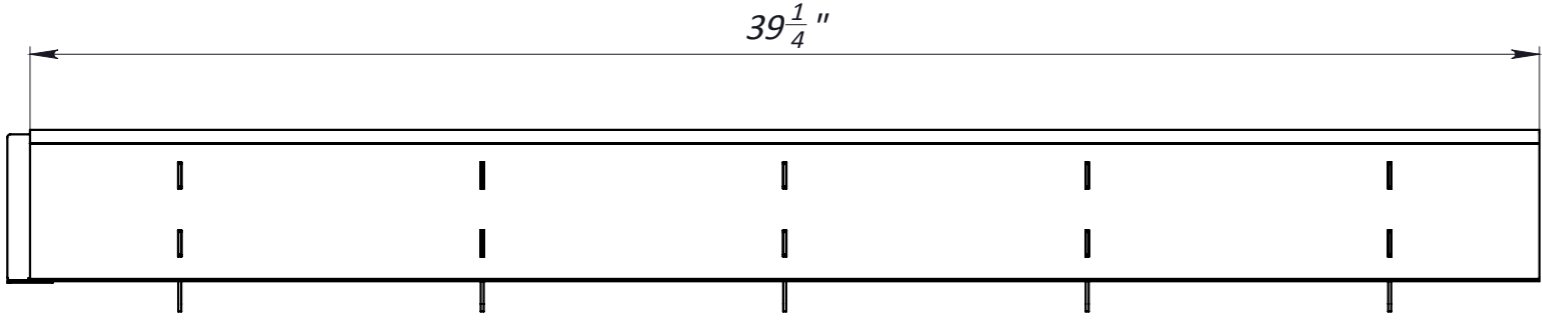


Primary Usage
Reference No.
Sign. and date
Copy inv. No.
Repl. Inv. No.
Sign. and date
Orig. Inv. No.

8" Galvanized Steel Double Slot Drain



- 1. Area of water intake slots 52 sq in
- 2. Deviation of the actual weight of the nominal can be up to 10%

					Art. 2517-1TT-100			
					8" Galvanized Steel Double Slot Drain			
Rev.	Sheet	Doc. No.	Sign.	Data	2517-1TT-100	Let.	Weight (lb)	Scale
				11.09.18			17.91	1:5
					Sheet		Sheets 1	
					Galvanized Steel			
					