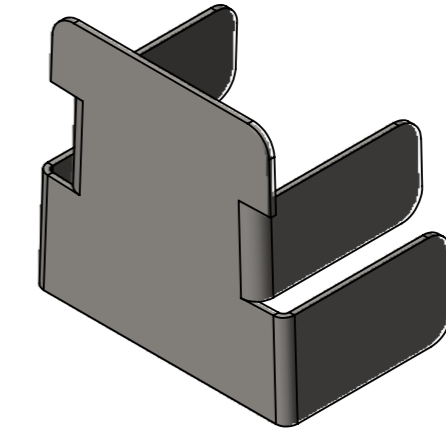
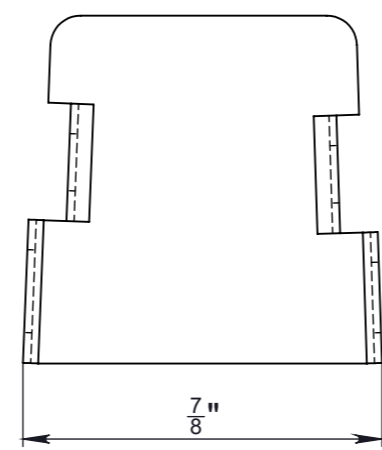
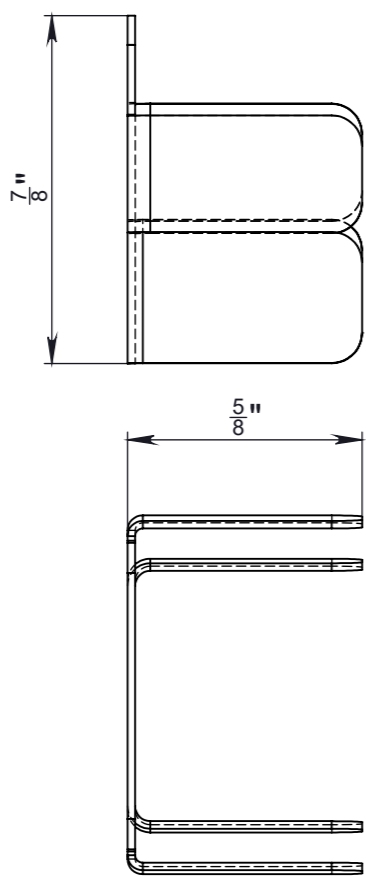


Primary Usage	
Reference No.	
Sign. and date	
Copy inv. No.	
Repl. Inv. No.	
Sign. and date	
Orig. Inv. No.	



1. * - Dimensions for reference;
2. Unspecified marginal deviation of dimensions H14, h14, $\pm IT14/2$;
3. The manufacturer reserves the right, without notice to the consumer, to make changes to the design of the products for improvement their technological and operational parameters, which will not affect the quality and properties of the product.

					Art.	6967-1T-25
					EndCap for Micro Slot Drain	
					6967-1T-25	Let. Weight (lb) Scale
Rev.	Sheet	Doc. No.	Sign.	Data		0.008 2:1
				21.08.2020		
						Sheet Sheets 1
					Stainless Steel	